

CxL

Laboratory Microscopy



**LABOMED**  
ideas for vision

# Where Style Meets Function



**1** Our LP series objectives enable you to view an assortment of specimens with the highest degree of clarity. CxL's Semi Plan Achromatic optical system has been designed to provide true color and contrast.

**2** With a compact design and robust mechanical stage with fluid X/Y operation, maintenance free operation is a standard.

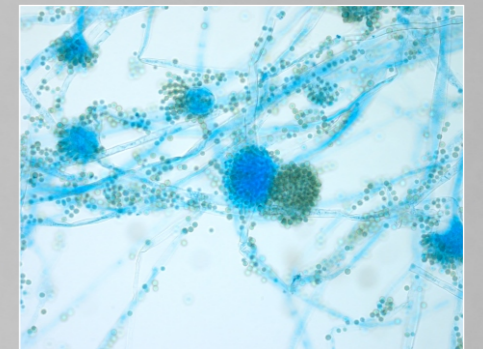
**3** CxL offers you flexibility in illumination. You can stay with the standard 20W high efficiency halogen bulb, or you can opt for a Bright LED, providing illumination in a near daylight spectrum.

## CxL

Adapted for both classroom and lab environments, the new CxL reflects a fresh design and delivers a rugged exterior with quality optical and mechanical ingredients for a lifetime of carefree use. This next generation microscope asserts its sophistication not only by design, but also through flawless functionality. In light of the latest in manufacturing technology, the highly modular CxL can offer you a high degree of performance for various applications.

With all LED free optical components and paints, the CxL is an environment friendly solution.

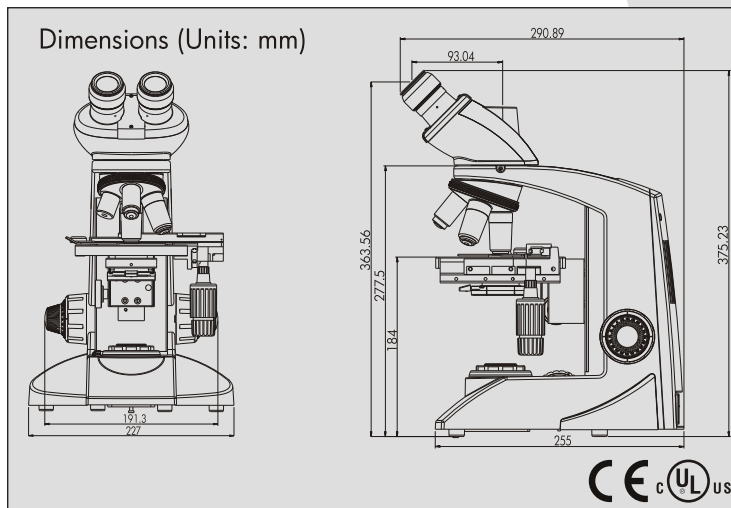
And best of all, you won't need to break the bank to own one!



## CxL Laboratory Microscope

Specifications

Item	Specifications
- Stand	Single mold sturdy stand with anti rust materials. Extended base for better stability
- Viewing Bodies	45° inclined, 360° rotatable dovetail, Inter pupillary distance 54 - 74mm
- Eyepiece	Wide field focusable paired eyepiece* 10x/18mm with foldable eye guard, lockable, antifungal
- Nosepiece	Quadruple Nosepiece (Ball bearing type) with rubber grip
- Objectives	LP series DIN Semi Plan Achromatic objectives* 4x, 10x, 40x (spring loaded), 100x (spring loaded, oil), anti fungal
- Mechanical stage	Rectangular stage size 135 x 124mm, X/Y travel range 76mm x 50mm. Low drive movement controls, single specimen holder
- Condenser	Sub stage Abbe condenser NA 1.25 with aspheric lens* . Iris diaphragm with snap-in blue filter. Rack and pinion movements on metal guides
- Focusing	Co-axial coarse and fine focusing on ball drive system for smooth operation. Fine drive movement 0.3mm/rotation
- Illumination	LED† or Halogen 6V-20W illumination with variable illumination control. Up to 100,000 hours of LED life and 2,000 hours of Halogen lamp life
- Electricals	Universal input 100V - 240V AC, 50/60Hz. Built in voltage stabilizer
- Optional accessories	Phase contrast kit with 10x/40x LP series Phase objective, Polarizing kit, Dark field kit, Green Filter, Video adapter, Labomed Digital cameras



### Configurations

Description	Configuration	Cat. No.
<b>Halogen</b>		
3 obj. 4x, 10x, 40x (SL)	Monocular, Integrated Eyepiece	9135000
Standard*	Monocular, Integrated Eyepiece	9135001
Standard*	Binocular	9135002
Standard*	Trinocular	9135003
Standard*	Trinocular, Digital 1.3MP camera	9135004
<b>LED†</b>		
Standard*	Monocular, Integrated Eyepiece	9135005
Standard*	Binocular	9135006
Standard*	Trinocular	9135007
3 obj. 4x, 10x, 40x (SL)	Monocular, Integrated Eyepiece	9135008

\* Standard versions are with 4 objectives 4x, 10x, 40x (SL) and 100x (SL, oil)

† LED version is with rechargeable battery and detachable power cord

\* All optical components are made of environment friendly LEAD free optical glass.