

"SIMPLE OPERATION"
for daily use

"RELIABILITY"
with lid interlock

Low price model with the essential functions for safe and sure sterilization, with Interlock system

My autoclave

TR-24 series

Sterilization 105~127°C

Inner capacity 10ℓ / 20ℓ

● **One touch lid lock**

Your single action enables open / close of the lid. You can open the lid just by rotating 90 degrees of the handle.

● **Interlock system**

The sensing system of lid-lock allows to start operation only after the lid is locked. And cannot be opened till temperature inside the chamber goes down under 79°C for user's safety.

● **Simple operation**

Just by pushing "Start", "Stop", "Release" keys to operate this autoclave. Sterilization temperature and Sterilization time can be set easily.

● **Low profile & Space saving design**

Only 645mm(TR-24L) height to the operation panel enables to set heavy objects in the chamber easily. W370×D400mm size of body is space saving design.

● **EMC compliant**

EMI and EMS compliant and conform to IEC61326 (2006).

● **Low cost maintenance**

Consumable parts are improved of its shape and quality to last a long time for low cost maintenance.

It can be customized for GMP specification.



TR-24L (20ℓ)



TR-24S (10ℓ)



ALP Co., Ltd.
TOKYO JAPAN

● MAIN FEATURE

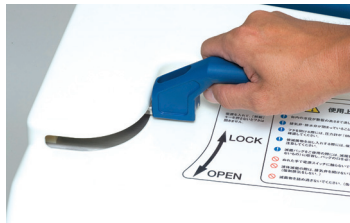
SAFETY INTERLOCK

The lid does not open till temperature inside the chamber goes down under 79°C to protect operator from steam and boil-up of culture medium.

ONE ACTION LOCK HANDLE

With one hand, you can close and lock the lid at operation start.

Press "Release" key to open the lid (only when the inside temperature is under 79°C).



OPERATION PANEL

Indicates "Run", "Release", "Error" and "Temperature/Time" by digital LED which is easy to read.

Combined Control by Temperature & time for Saturated Steam

Air exhaust is controlled by Temperature & Time to ensure saturated steam.

EXHAUST DRAIN BOTTLE (TR-24L)

Space saving, and exhaust steam is cooling down in the bottle. So steam is not leaked to outside.



DESKTOP SIZE (TR-24S)

Low profile and space saving design realize "Easy-to-Use" autoclave. Drain bottle is set outside the unit.

● ACCESSORIES

● Stainless wire basket (Standard accessory)

TR-24S
φ210×200mm
1 pc.



TR-24L
φ210×400mm
1 pc. (LA)
or
φ210×200mm
2 pcs. (LB)

● Stainless bucket

φ210×210mm
(Option)



● Dressing drum

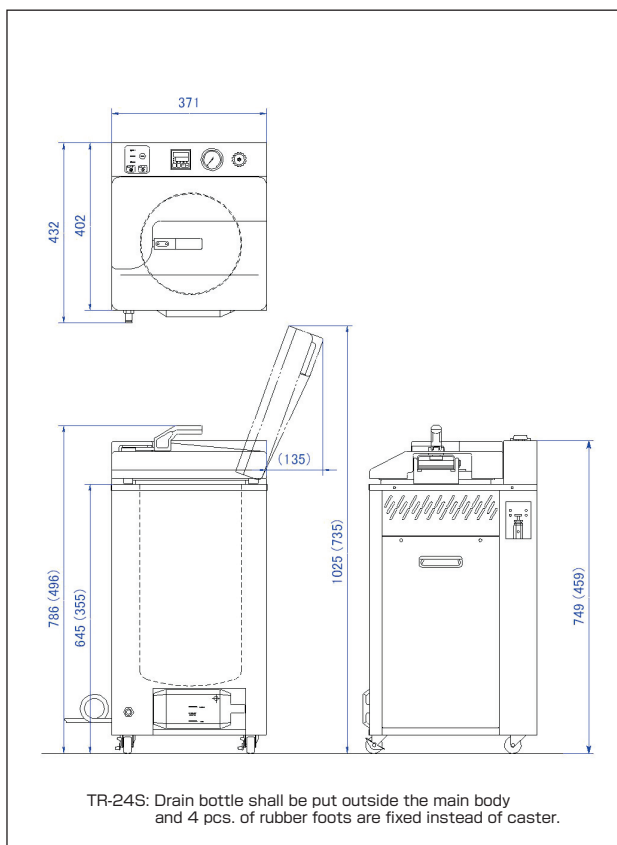
φ180×120mm
(Option)



● SPECIFICATIONS

Model	TR-24S	TR-24 LA / LB
Chamber capacity	φ240×H223mm / 10 ℓ	φ240×H448mm / 20 ℓ
Temp. Range	105°C~127°C (0.02~0.16MPa)	
Max. Pressure	0.18MPa	
Temp. display	Digital by 1°C	
Pressure Gauge	Analogue 0~0.4MPa	
Usable time	1 min. ~ 99hours 59min.	
Air exhaust valve	Temperature sensing · control & Solenoid valve	
Heater	Electrical pipe heater 1.5kW	
Safety devices	Interlock system, Water lack preventor Over pressure detector, Safety valve Breaker for over current & short circuit	
Material of chamber	Stainless steel (SUS304)	
External dimensions / Net weight	W371×D402×H459mm/28kg	W371×D402×H749mm/37kg
Power requirement	AC110-240V(50/60Hz)	
Power consumption	1.5kW	
Accessories	Stainless wire basket φ210×200mm 1pc. Drain bottle (2 ℓ) Drain hose Base plate	Stainless wire basket φ210×400mm 1pc.(LA) or φ210×200mm 2pcs.(LB) Drain bottle (2 ℓ), Base plate

● DIMENSIONS ()...for TR-24S



ALP Co., Ltd.

3-3-10, Midorigaoka, Hamura-shi
Tokyo 205-0003, Japan

TEL.81-42-579-0531 FAX.81-42-579-0533

E-mail:alpco@wonder.ocn.ne.jp

URL:http://www.alpco.co.jp



ISO9001:2000