

**BROEN  
UNIFLEX™  
FITTINGS  
FOR WATER**

BROEN UNIFLEX™ FITTINGS FOR WATER

BROEN UNIFLEX™ FITTINGS FOR WATER


















سوماتكو  
SOMATCO  
[www.somatco.com](http://www.somatco.com)



**BROEN**

INTELLIGENT FLOW SOLUTIONS

<b>Content</b>	<b>Page</b>
Table of Contents	2
BROEN UniFlex™ BASIC	4
Product Overview	5
<b>Water Fittings</b>	
Bench Mounted Fitting with Swivel Spout.....  6	Single Handle Mixer Bench Mounted.....  16
Bench Fitting Mounted on a Column.....  7	Single Handle Mixer Bench Mounted with Hand Shower.....  17
Two Valve Bench Mounted Fitting on a U-Shaped Column.....  8	One Handle Two Hole Mixer with Swivel Spout.....  18
Two Valve Bench Mounted Fitting on a Tee-shaped Column.....  9	One Handle Mixer with Swivel Spout.....  19
Bench Mounted Fitting on a Column with Swivel Spout.....  10	Wall and Bench Mounted 2-Hole 2-Hand Mixers with Swivel Spout.....  20
Three Valve Bench Mounted Fitting.....  11	Single Water Fittings.....  21
Wall Mounted Fitting.....  12	
Two Handle Bench Mounted One Hole Mixer with Swivel Spout.....  13	
Suspended 2-Valve Fitting.....  14	
<b>BROEN UniFlex™ Hoses for Water</b> 22-23	
<b>Headworks</b>	
Rubber Headwork for Plastic Handle..... 24	
Ceramic Headwork for Wrist Action Lever..... 24	
<b>Accessories / Spare Parts</b> 25-26	
<b>Ordering Information</b>	
BROEN UniFlex™ Fittings..... 27	

**BASIC**

**BROEN UNIFLEX™ FITTING FOR WATER**



**THIS IS BROEN UNIFLEX™ BASIC**

BROEN UniFlex™ BASIC line offers high quality and durability combined with the complete program, which adds up to low LCC (Life Cycle Costs).



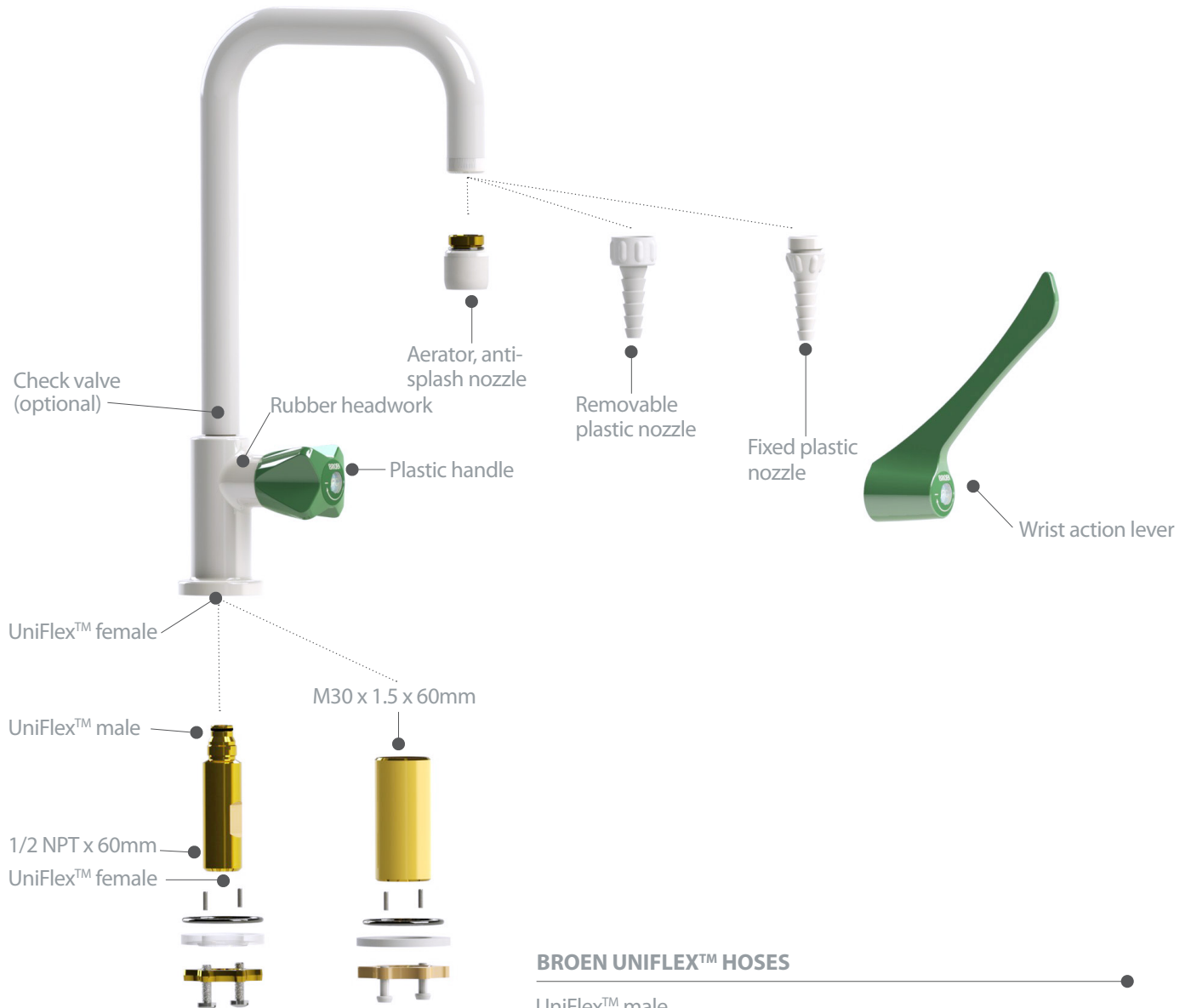
The operation and the configuration of the BROEN UniFlex™ BASIC fittings are highly adapted to the requirements of modern laboratories in the educational sector.

The fittings are manufactured of the highest quality materials. The surface of laboratory fittings is treated with BROEN POLYCOAT powder coating, which makes the surface highly resistant to most chemicals, UV fading and heat.

Most BROEN UniFlex™ BASIC fittings for water are as a standard delivered with a fixed plastic hose nozzle and a plastic handle. As an option it is possible to get water fittings with an integrated check valve, which prevents backflow. The fittings are delivered with easy-to-mount anti-rotational mounting kit.

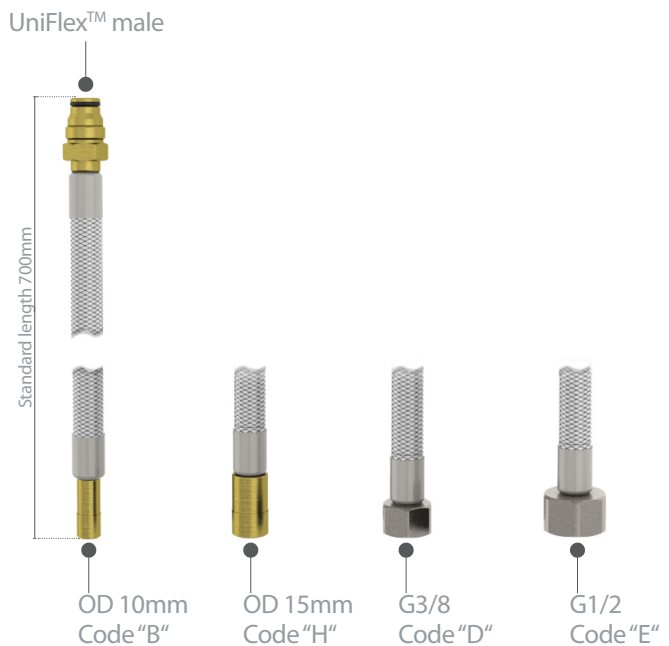
**THIS IS BROEN UNIFLEX™**

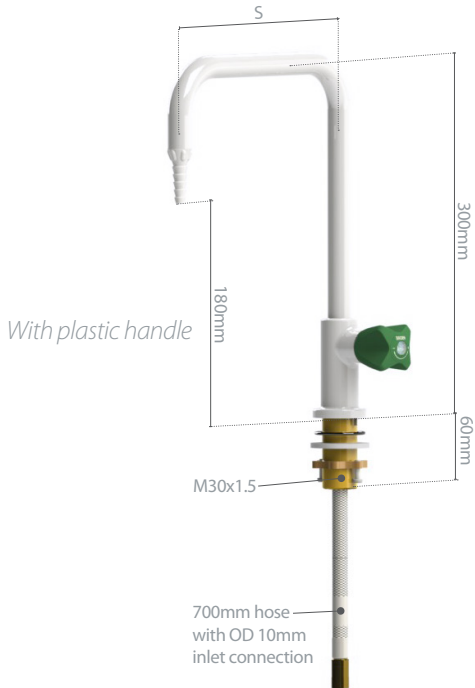
BROEN UniFlex™ is a unique and patented connection, which allows customers to choose from various connection methods, such as hoses, Cu, PEX or Stainless Steel pipes, without changing the valve itself. It provides unique flexibility, not only for the installer, but also for the end-user. Due to the flexibility of the system, the quick installation and savings on fittings, this system offers lower TIC (Total Installed Costs).



BROEN UNIFLEX™ FITTINGS FOR WATER

BROEN UNIFLEX™ HOSES





**SPECIFICATIONS**

- Handle:** Plastic, with media indication according to EN13792
- Spout:** Full swivel action
- Hose nozzle:** Fixed plastic (can be unscrewed by hand, thread: male G3/8)
- Headwork:** Rubber (wrist action lever: ceramic)
- Opening/closing function:** 2 x 360° (wrist action lever: 90°)
- Temperature range:** 0-65°C
- Max. working pressure:** 10 bar / 147 psi
- Test pressure:** 1 x working pressure
- Weight:** 1.4 kg

**MATERIALS WITH MEDIA CONTACT**

- Metals:** Brass
- Plastics:** PP, SPX (hose)
- Sealing:** EPDM
- Lubricant:** Silicone based
- Ceramics:** Al<sub>2</sub>O<sub>3</sub> 96% (wrist action lever only)

**ORDERING INFORMATION**

For standard configuration please refer to the item numbers below.

Other options:

- aerator
- removable plastic hose nozzle
- integrated non-return valve
- fixed spout (rear, left or right)
- alternative hose inlet connection / without a hose
- other inlet options (type, length)
- national approvals
- WPH (Water Potable Hot)
- WNH (Water Non-Potable Hot)

**BROEN UNIFLEX™ FITTINGS FOR WATER**

*With wrist action lever*



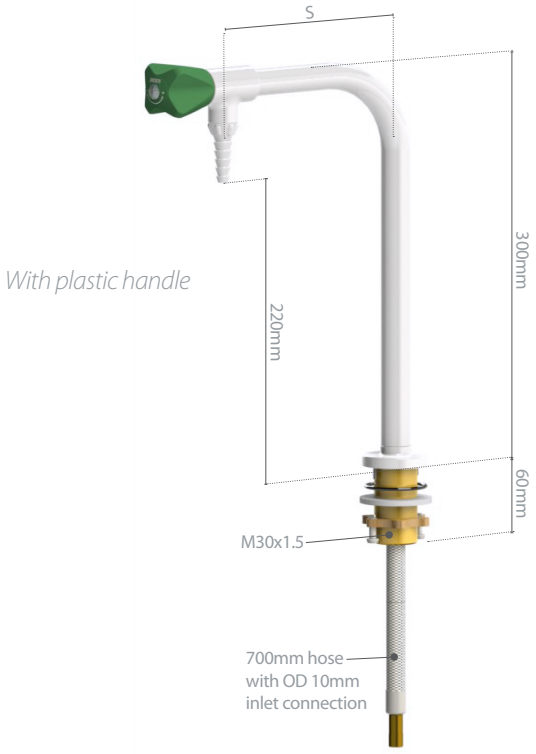
**Model:** Plastic handle

Media	S = 150mm	S = 200mm	S = 250mm	S = 300mm
Potable water, cold	2534 008 1001-52B	2534 084 1001-52B	2534 085 1001-52B	2534 086 1001-52B
Non-potable water, cold	2534 008 1007-52B	2534 084 1007-52B	2534 085 1007-52B	2534 086 1007-52B

**Model:** Wrist action lever



Media	S = 150mm	S = 200mm	S = 250mm	S = 300mm
Potable water, cold	2534 087 1001-52B	2534 088 1001-52B	2534 089 1001-52B	2534 083 1001-52B
Non-potable water, cold	2534 087 1007-52B	2534 088 1007-52B	2534 089 1007-52B	2534 083 1007-52B



With plastic handle

**SPECIFICATIONS**

- Handle:** Plastic, with media indication according to EN13792
- Hose nozzle:** Fixed plastic (can be unscrewed by hand, thread: male G3/8)
- Headwork:** Rubber (wrist action lever: ceramic)
- Opening/closing function:** 2 x 360° (wrist action lever: 90°)
- Temperature range:** 0-65°C
- Max. working pressure:** 10 bar / 147 psi
- Test pressure:** 1 x working pressure
- Weight:** 1.5 kg

**MATERIALS WITH MEDIA CONTACT**

- Metals:** Brass
- Plastics:** PP, SPX (hose)
- Sealing:** EPDM
- Lubricant:** Silicone based
- Ceramics:** Al<sub>2</sub>O<sub>3</sub> 96% (wrist action lever only)

**ORDERING INFORMATION**

For standard configuration please refer to the item numbers below.

- Other options:
- aerator
  - removable plastic hose nozzle
  - integrated non-return valve
  - alternative hose inlet connection / without a hose
  - other inlet options (type, length)
  - national approvals
  - WPH (Water Potable Hot)
  - WNH (Water Non-Potable Hot)



With wrist action lever

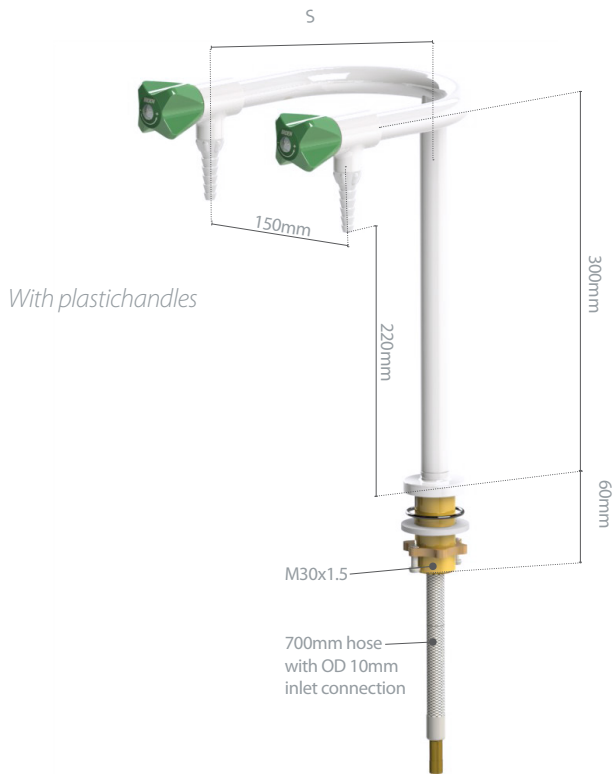
**Model:** Plastic handle

Media	S = 150mm	S = 200mm
Potable water, cold	2533 085 1001-52B	2533 097 1001-52B
Non-potable water, cold	2533 085 1007-52B	2533 097 1007-52B

**Model:** Wrist action lever

Media	S = 150mm	S = 200mm
Potable water, cold	2533 095 1001-52B	2533 147 1001-52B
Non-potable water, cold	2533 095 1007-52B	2533 147 1007-52B

# TWO VALVE BENCH MOUNTED FITTING ON A U-SHAPED COLUMN



## SPECIFICATIONS

- Handle:** Plastic, with media indication according to EN13792
- Hose nozzle:** Fixed plastic (can be unscrewed by hand, thread: male G3/8)
- Headwork:** Rubber (wrist action lever: ceramic)
- Opening/closing function:** 2 x 360° (wrist action lever: 90°)
- Temperature range:** 0-65°C
- Max. working pressure:** 10 bar / 147 psi
- Test pressure:** 1 x working pressure
- Weight:** 2.5 kg

## MATERIALS WITH MEDIA CONTACT

- Metals:** Brass
- Plastics:** PP, SPX (hose)
- Sealing:** EPDM
- Lubricant:** Silicone based
- Ceramics:** Al<sub>2</sub>O<sub>3</sub> 96% (wrist action lever only)

## ORDERING INFORMATION

For standard configuration please refer to the item numbers below.

Other options:

- aerator
- removable plastic hose nozzle
- integrated non-return valve
- alternative hose inlet connection / without a hose
- other inlet options (type, length)
- national approvals
- WPH (Water Potable Hot)
- WNH (Water Non-Potable Hot)



Model: Plastic handle



BROEN UNIFLEX™ FITTINGS FOR WATER

Media	S = 150mm	S = 200mm
Potable water, cold	2533 086 1001-52B	2533 149 1001-52B
Non-potable water, cold	2533 086 1007-52B	2533 149 1007-52B

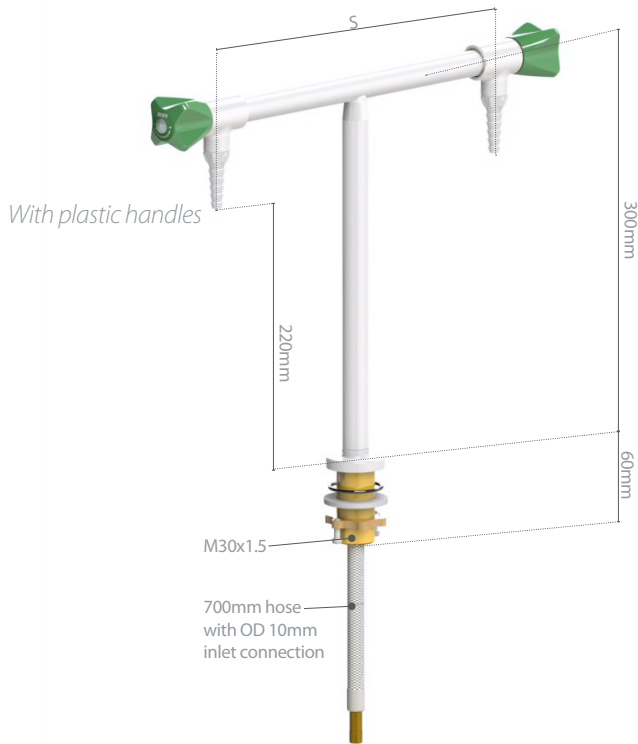
Model: Wrist action lever



Media	S = 150mm	S = 200mm
Potable water, cold	2533 148 1001-52B	2533 150 1001-52B
Non-potable water, cold	2533 148 1007-52B	2533 150 1007-52B



# TWO VALVE BENCH MOUNTED FITTING ON A TEE-SHAPED COMLUMN



Model: Plastic handle



## SPECIFICATIONS

- Handle:** Plastic, with media indication according to EN13792
- Hose nozzle:** Fixed plastic (can be unscrewed by hand, thread: male G3/8)
- Headwork:** Rubber (wrist action lever: ceramic)
- Opening/closing function:** 2 x 360° (wrist action lever: 90°)
- Temperature range:** 0-65°C
- Max. working pressure:** 10 bar / 147 psi
- Test pressure:** 1 x working pressure
- Weight:** 2.3 kg

## MATERIALS WITH MEDIA CONTACT

- Metals:** Brass
- Plastics:** PP, SPX (hose)
- Sealing:** EPDM
- Lubricant:** Silicone based
- Ceramics:** Al<sub>2</sub>O<sub>3</sub> 96% (wrist action lever)

## ORDERING INFORMATION

For standard configuration please refer to the item numbers below.

Other options:

- aerator
- removable plastic hose nozzle
- integrated non-return valve
- alternative hose inlet connection / without a hose
- other inlet options (type, length)
- national approvals
- WPH (Water Potable Hot)
- WNH (Water Non-Potable Hot)

BROEN UNIFLEX™ FITTINGS FOR WATER

Media	S = 300mm	S = 400mm
Potable water, cold	2533 087 1001-52B	2533 130 1001-52B
Non-potable water, cold	2533 087 1007-52B	2533 130 1007-52B

Model: Wrist action lever



Media	S = 300mm	S = 400mm
Potable water, cold	2533 151 1001-52B	2533 152 1001-52B
Non-potable water, cold	2533 151 1007-52B	2533 152 1007-52B

For further information and mounting instructions please refer to [www.BROEN.com](http://www.BROEN.com) or contact your local BROEN LAB representative.



**SPECIFICATIONS**

- Handle:** Plastic, with media indication according to EN13792
- Spout:** Full swivel action
- Hose nozzle:**  
U-shape - fixed plastic (can be unscrewed by hand)  
S-shape - removable plastic
- Headwork:** Rubber (wrist action lever: ceramic)
- Opening/closing function:** 2 x 360° (wrist action lever: 90°)
- Temperature range:** 0-65°C
- Max. working pressure:** 10 bar / 147 psi
- Test pressure:** 1 x working pressure
- Weight:** 2 kg

**MATERIALS WITH MEDIA CONTACT**

- Metals:** Brass
- Plastics:** PP, SPX (hose)
- Sealing:** EPDM
- Lubricant:** Silicone based
- Ceramics:** Al<sub>2</sub>O<sub>3</sub> 96% (wrist action lever)

**ORDERING INFORMATION**

For standard configuration please refer to the item numbers below.

- Other options:
- aerator
  - removable plastic hose nozzle (U-shape)
  - wrist action lever
  - integrated non-return valve
  - T = 200mm
  - alternative hose inlet connection / without a hose
  - other inlet options (type, length)
  - national approvals
  - WPH (Water Potable Hot)
  - WNH (Water Non-Potable Hot)



*S-shape with plastic handle and removable nozzle*

**Model:** Plastic handle U-shape, fixed nozzle



Media	S = 150mm	S = 200mm
Potable water, cold	2533 141 1001-52B	2533 142 1001-52B
Non-potable water, cold	2533 141 1007-52B	2533 142 1007-52B

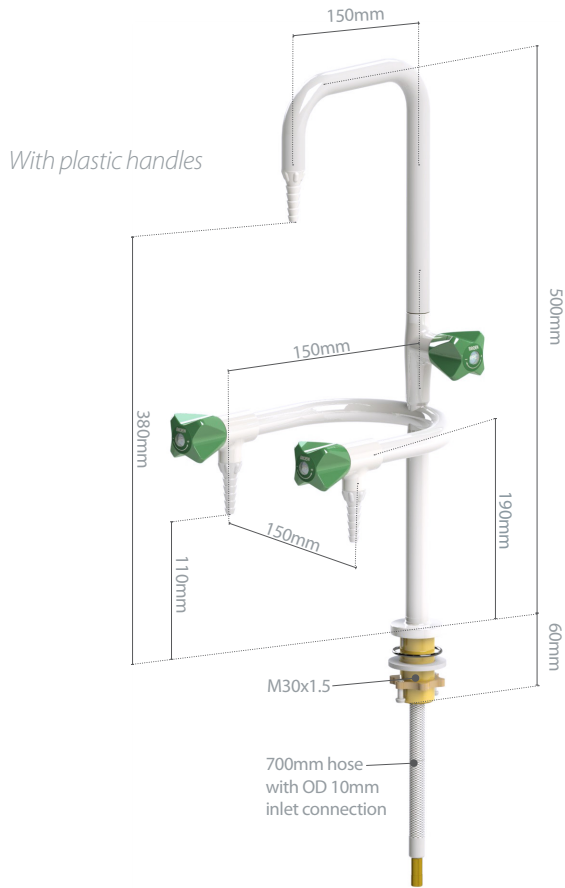
**Model:** Plastic handle S-shape, removable nozzle



Media	S = 150mm	S = 200mm
Potable water, cold	2533 143 1001-52B	2533 144 1001-52B
Non-potable water, cold	2533 143 1007-52B	2533 144 1007-52B

For further information and mounting instructions please refer to [www.BROEN.com](http://www.BROEN.com) or contact your local BROEN LAB representative.

# THREE VALVE BENCH MOUNTED FITTING



## SPECIFICATIONS

- Handle:** Plastic, with media indication according to EN13792
- Spout:** Full swivel action
- Hose nozzle:** Fixed plastic (can be unscrewed by hand from angle valves, thread: male G3/8)
- Headwork:** Rubber (wrist action lever: ceramic)
- Opening/closing function:** 2 x 360° (wrist action lever: 90°)
- Temperature range:** 0-65°C
- Max. working pressure:** 10 bar / 147 psi
- Test pressure:** 1 x working pressure
- Weight:** 3 kg

## MATERIALS WITH MEDIA CONTACT

- Metals:** Brass
- Plastics:** PP, SPX (hose)
- Sealing:** EPDM
- Lubricant:** Silicone based
- Ceramics:** Al<sub>2</sub>O<sub>3</sub> 96% (wrist action lever only)
- Solder:** DIN L-Ag55:Sn

## ORDERING INFORMATION

For standard configuration please refer to the item numbers below.

Other options:

- aerator
- removable plastic hose nozzle
- integrated non-return valve
- alternative hose inlet connection / without a hose
- other inlet options (type, length)
- national approvals
- WPH (Water Potable Hot)
- WNH (Water Non-Potable Hot)

With wrist action levers



BROEN UNIFLEX™ FITTINGS FOR WATER

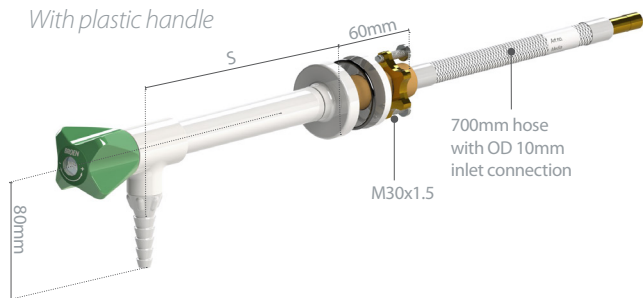
Media	S = 150mm
Potable water, cold	2533 094 1001-52B
Non-potable water, cold	2533 094 1007-52B



Media	S = 150mm
Potable water, cold	2533 096 1001-52B
Non-potable water, cold	2533 096 1007-52B

For further information and mounting instructions please refer to [www.BROEN.com](http://www.BROEN.com) or contact your local BROEN LAB representative.

With plastic handle



With wrist action lever



**SPECIFICATIONS**

- Handle:** Plastic, with media indication according to EN13792
- Hose nozzle:** Fixed plastic (can be unscrewed by hand, thread: male G3/8)
- Headwork:** Rubber (wrist action lever: ceramic)
- Opening/closing function:** 2 x 360° (wrist action lever: 90°)
- Temperature range:** 0-65°C
- Max. working pressure:** 10 bar / 147 psi
- Test pressure:** 1 x working pressure
- Weight:** 1.0 kg

**MATERIALS WITH MEDIA CONTACT**

- Metals:** Brass
- Plastics:** PP, SPX (hose)
- Sealing:** EPDM
- Lubricant:** Silicone based
- Ceramics:** Al<sub>2</sub>O<sub>3</sub> 96% (wrist action lever only)

**ORDERING INFORMATION**

For standard configuration please refer to the item numbers below.

Other options:

- aerator
- removable plastic hose nozzle
- integrated non-return valve
- alternative hose inlet connection / without a hose
- other inlet options (type, length)
- national approvals
- WPH (Water Potable Hot)
- WNH (Water Non-Potable Hot)

**BROEN UNIFLEX™ FITTINGS FOR WATER**

Model: Plastic handle



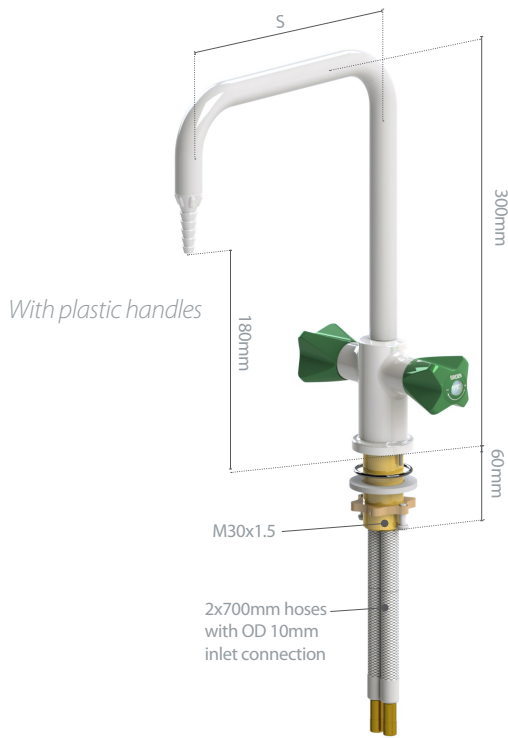
Media	S = 150mm	S = 200mm
Potable water, cold	2533 136 1001-52B	2533 137 1001-52B
Non-potable water, cold	2533 136 1007-52B	2533 137 1007-52B

Model: Wrist action lever



Media	S = 150mm	S = 200mm
Potable water, cold	2533 138 1001-52B	2533 139 1001-52B
Non-potable water, cold	2533 138 1007-52B	2533 139 1007-52B

# TWO HANDLE BENCH MOUNTED ONE HOLE MIXER WITH SWIVEL SPOUT



## SPECIFICATIONS

- Handle:** Plastic, with media indication according to EN13792
- Spout:** Full swivel action
- Hose nozzle:** Fixed plastic (can be unscrewed by hand, thread: male G3/8)
- Headwork:** Rubber (wrist action lever: ceramic)
- Opening/closing function:** 2 x 360° (wrist action lever: 90°)
- Temperature range:** 0-65°C
- Max. working pressure:** 10 bar / 147 psi
- Test pressure:** 1 x working pressure
- Weight:** 1.8 kg

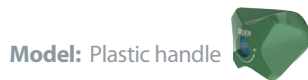
## MATERIALS WITH MEDIA CONTACT

- Metals:** Brass
- Plastics:** PP, SPX (hose)
- Sealing:** EPDM
- Lubricant:** Silicone based
- Ceramics:** Al<sub>2</sub>O<sub>3</sub> 96% (wrist action lever only)

## ORDERING INFORMATION

For standard configuration please refer to the item numbers below.

- Other options:
- aerator
  - removable plastic hose nozzle
  - integrated non-return valve
  - fixed spout
  - alternative hose inlet connection / without a hose
  - OD 10mm Cu pipes
  - other inlet options
  - national approvals



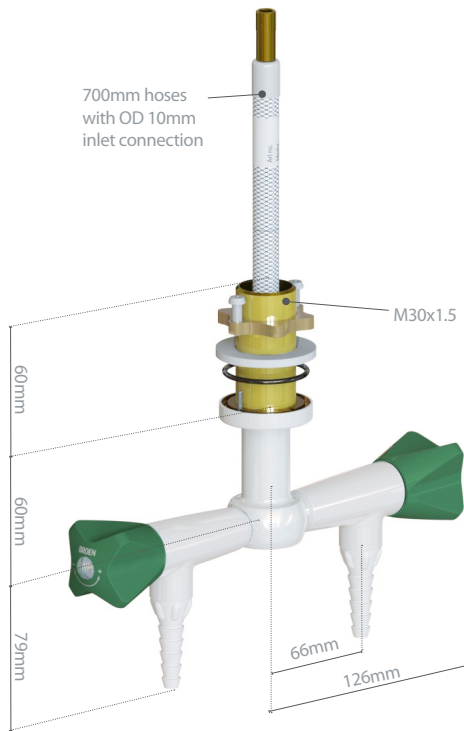
BROEN UNIFLEX™ FITTINGS FOR WATER

Media	S = 150mm	S = 200mm	S = 250mm	S = 300mm
Potable water, cold/hot	2536 039 1039-52B	2536 045 1039-52B	2536 046 1039-52B	2536 047 1039-52B
Non-potable water, cold/hot	2536 039 1040-52B	2536 045 1040-52B	2536 046 1040-52B	2536 047 1040-52B



Media	S = 150mm	S = 200mm	S = 250mm	S = 300mm
Potable water, cold/hot	2536 041 1039-52B	2536 048 1039-52B	2536 049 1039-52B	2536 050 1039-52B
Non-potable water, cold/hot	2536 041 1040-52B	2536 048 1040-52B	2536 049 1040-52B	2536 050 1040-52B

For further information and mounting instructions please refer to [www.BROEN.com](http://www.BROEN.com) or contact your local BROEN LAB representative.



*With plastic handles*

**SPECIFICATIONS**

- Handle:** Plastic, with media indication according to EN13792
- Hose nozzle:** Fixed plastic (can be unscrewed by hand, thread: male G3/8)
- Headwork:** Rubber
- Opening/closing function:** 2 x 360°
- Temperature range:** 0-65°C
- Max. working pressure:** 10 bar / 147 psi
- Test pressure:** 1 x working pressure
- Weight:** 2.5 kg

**MATERIALS WITH MEDIA CONTACT**

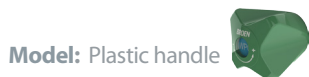
- Metals:** Brass
- Plastics:** PP, SPX (hose)
- Sealing:** EPDM
- Lubricant:** Silicone based

**ORDERING INFORMATION**

For standard configuration please refer to the item numbers below.

Other options:

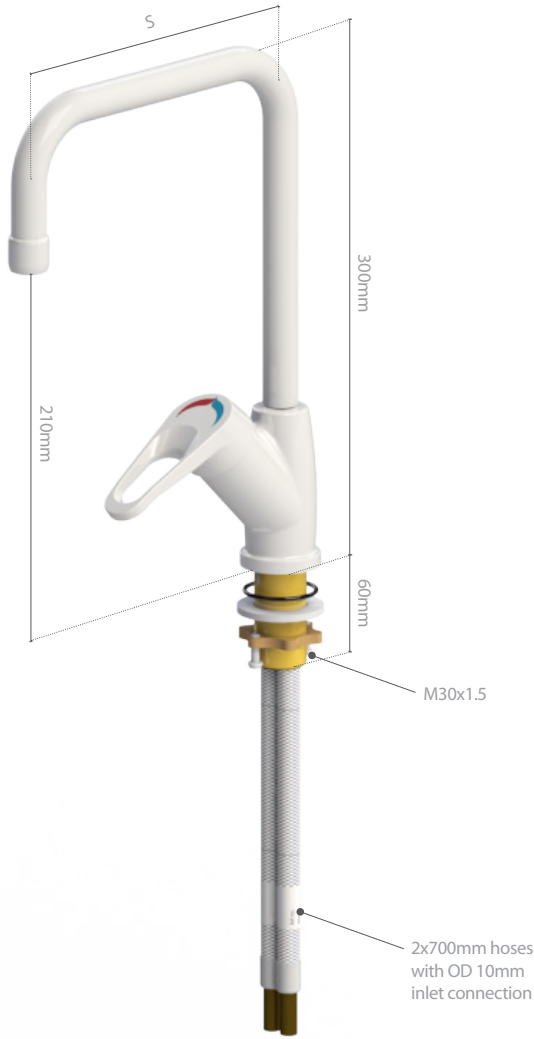
- aerator
- removable plastic hose nozzle
- wrist action lever
- models with single valve, 2 valves in 90° and 4 valves
- alternative hose inlet connection / without a hose
- other inlet options (type, length)
- national approvals
- WPH (Water Potable Hot)
- WNH (Water Non-potable Hot)



Media	2-valve 180°
Potable water, cold	2530 064 1001-52B
Non-potable water, cold	2530 064 1007-52B



**BROEN UM-FLEX™ FITTINGS FOR WATER**



**BROEN UNIFLEX™ FITTINGS FOR WATER**

**SPECIFICATIONS**

- Handle:** Metal, BROEN POLYCOAT powder coated
- Spout:** Swivel action
- Hose nozzle:** Aerator
- Cartridge:** Ceramic (temperature and flow regulation type)
- Opening/closing function:** 25°, mixing function: ±45°
- Temperature range:** 0°C - 90°C
- Max. working pressure:** 10 bar / 147 psi
- Test pressure:** 1 x working pressure
- Weight:** 2.4 kg

**MATERIALS WITH MEDIA CONTACT**

- Metals:** Brass
- Plastics:** POM, PTFE, SPX (hose)
- Sealing:** EPDM
- Lubricant:** Silicone based
- Ceramics:** Al<sub>2</sub>O<sub>3</sub> 96%

**ORDERING INFORMATION**

For standard configuration please refer to the item numbers below.

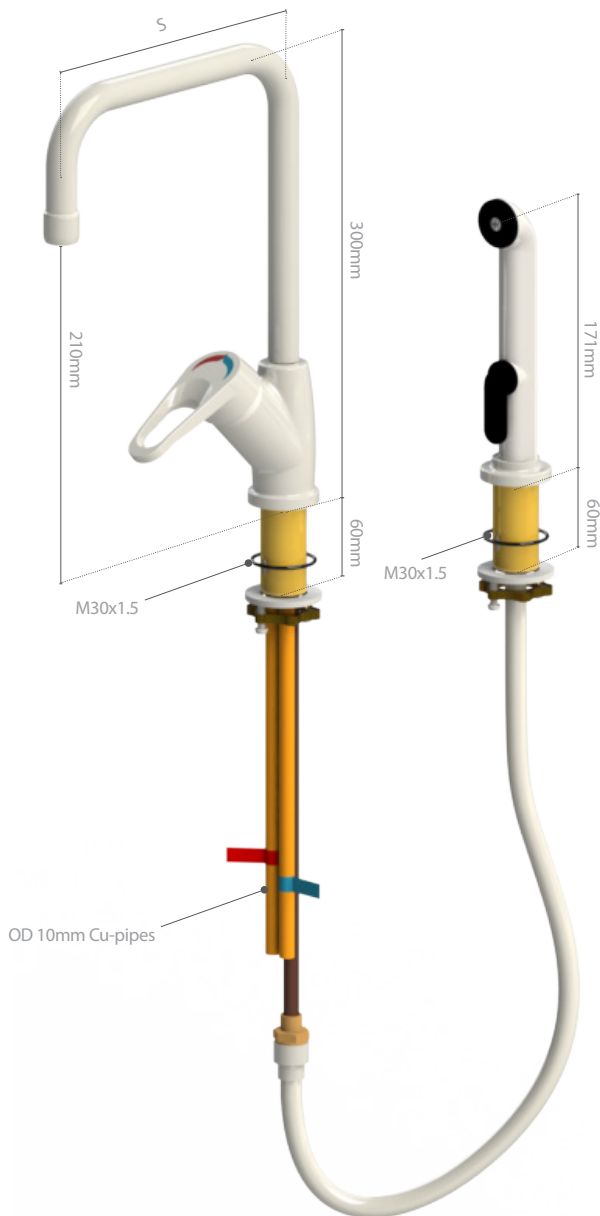
- Other options:
- integrated non-return valve
  - removable and fixed hose nozzles
  - flow restrictor (5 l/min)
  - alternative hose inlet connections
  - OD 10mm Cu pipes



Model	S = 150mm	S = 200mm	S = 250mm	S = 300mm
	2535 038 1035-52B	2535 039 1035-52B	2535 040 1035-52B	2535 041 1035-52B



# SINGLE HANDLE MIXER BENCH MOUNTED WITH HAND SHOWER



## SPECIFICATIONS

**Handle:** Metal, BROEN POLYCOAT powder coated

**Spout:** Swivel action

**Hose nozzle:** Aerator

**Cartridge:** Ceramic (temperature and flow regulation type)

**Opening/closing function:** 25°, mixing function: ±45°

**Temperature range:** 0°C - 90°C

**Max. working pressure:** 10 bar / 147 psi

**Test pressure:** 1 x working pressure

**Weight:** 3.0 kg

## MATERIALS WITH MEDIA CONTACT

**Metals:** Brass

**Plastics:** POM, PTFE, SPX (hose), ABS

**Sealing:** EPDM

**Lubricant:** Silicone based

**Ceramics:** Al<sub>2</sub>O<sub>3</sub> 96%

## ORDERING INFORMATION

For standard configuration please refer to the item numbers below.

Other options:

- integrated non-return valve
- removable and fixed hose nozzles
- flow restrictor (5 l/min)

BROEN UNIFLEX™ FITTINGS FOR WATER

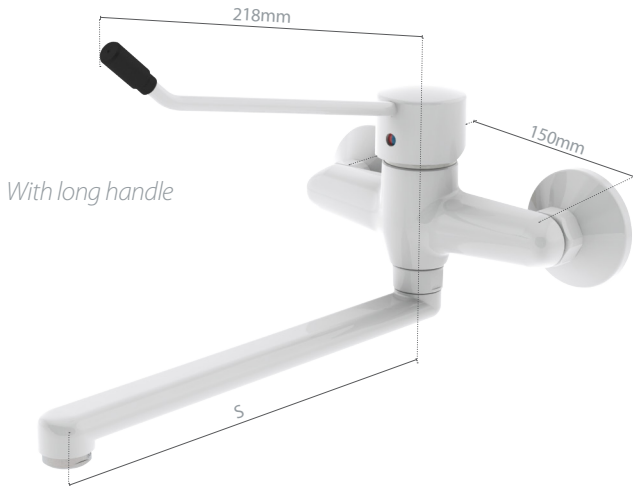
Media:



Model	S = 150mm	S = 200mm	S = 250mm	S = 300mm
	2535 042 1035-52C	2535 043 1035-52C	2535 044 1035-52C	2535 045 1035-52C

For further information and mounting instructions please refer to [www.BROEN.com](http://www.BROEN.com) or contact your local BROEN LAB representative.

# ONE HANDLE TWO HOLE MIXER WITH SWIVEL SPOUT



BROEN UNIFLEX™ FITTINGS FOR WATER

## SPECIFICATIONS

- Handle:** Metal, BROEN POLYCOAT powder coated
- Spout:** Swivel action
- Hose nozzle:** Aerator
- Cartridge:** Ceramic (temperature and flow limiting type)
- Opening/closing function:** 25°, mixing function: ±45°
- Temperature range:** 0°C - 90°C
- Max. working pressure:** 10 bar / 147 psi
- Test pressure:** 1 x working pressure
- Inlets:** Eccentric couplings with male G1/2
- Weight:** 1.5 kg

## MATERIALS WITH MEDIA CONTACT

- Metals:** Brass
- Plastics:** POM, PTFE, SPX (hose)
- Sealing:** EPDM
- Lubricant:** Silicone based
- Ceramics:** Al<sub>2</sub>O<sub>3</sub> 96%



## ORDERING INFORMATION

For standard configuration please refer to the item numbers below.

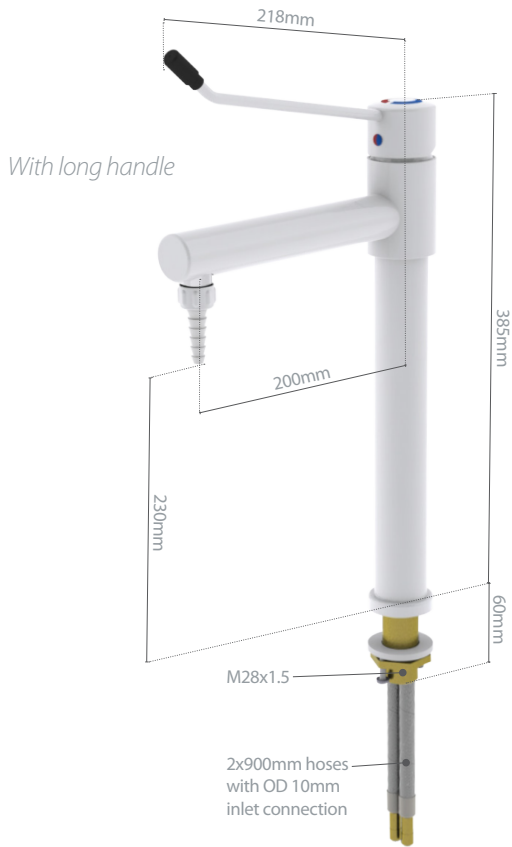
- Other options:
- removable hose nozzle
  - bench mounted model
  - different inlet connections  
(with BROEN UniFlex™ rear wall connection, lead-in. etc)

Media:



Model	S = 200mm	S = 250mm	S = 300mm
 Short Handle	2535 010 1035	2535 004 1035	2535 016 1035
 Long Handle	2535 007 1035	2535 001 1035	2535 013 1035

# ONE HANDLE MIXER WITH SWIVEL SPOUT



## SPECIFICATIONS

- Handle:** Metal, BROEN POLYCOAT powder coated
- Spout:** Full swivel action (110° limited swivel or no swivel as an option, should be mentioned when ordering)
- Hose nozzle:** Removable plastic (aerator included)
- Cartridge:** Ceramic (temperature and flow limiting type)
- Opening/closing function:** 25°, mixing function: ±45°
- Temperature range:** 0°C - 65°C
- Max. working pressure:** 10 bar / 147 psi
- Weight:** 2.8 kg

## MATERIALS WITH MEDIA CONTACT

- Metals:** Brass
- Plastics:** PP, POM, PTFE, SPX (hose)
- Sealing:** EPDM
- Lubricant:** Silicone based
- Ceramics:** Al<sub>2</sub>O<sub>3</sub> 96%

## ORDERING INFORMATION

For standard configuration please refer to the item numbers below.



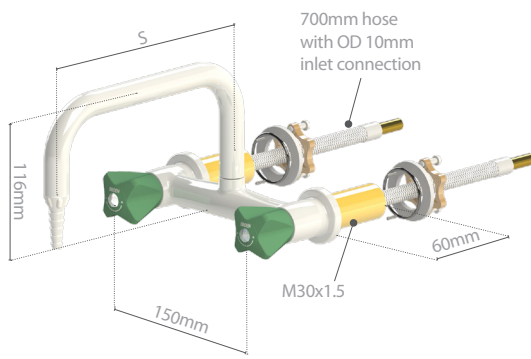
BROEN UNIFLEX™ FITTINGS FOR WATER

Model	S = 200mm
Short Handle	G350328135
Long Handle	G350318135

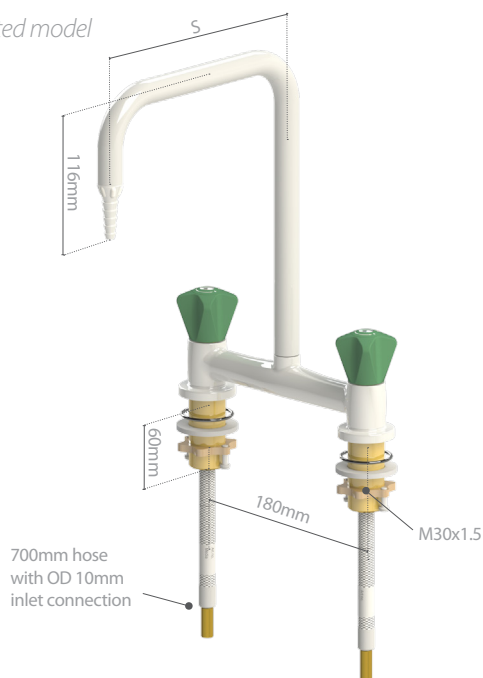
# WALL AND BENCH MOUNTED 2-HOLE 2-HANDLE MIXERS WITH SWIVEL SPOUT



Wall mounted model



Bench mounted model



BROEN UNIFLEX™ FITTINGS FOR WATER

## SPECIFICATIONS

**Handle:** Plastic, with media indication according to EN13792

**Hose nozzle:** Fixed plastic (can be unscrewed by hand, thread: male G3/8)

**Headwork:** Rubber

**Opening/closing function:** 2 x 360°

**Temperature range:** 0-65°C

**Max. working pressure:** 10 bar / 147 psi

**Test pressure:** 1 x working pressure

**Weight:** 1.7 kg

## MATERIALS WITH MEDIA CONTACT

**Metals:** Brass

**Plastics:** PP, SPX (hose)

**Sealing:** EPDM

**Lubricant:** Silicone based

**Ceramics:** Al<sub>2</sub>O<sub>3</sub> 96%

## ORDERING INFORMATION

For standard configuration please refer to the item numbers below.

Other options:

- aerator
- flow restrictor (5 l/min)
- integrated check valve
- fixed spout
- S-spout for wall mounted model
- wrist action lever
- other options for hose inlet connections

For further information please contact your local BROEN LAB representative.

**Model:** Wall mounted

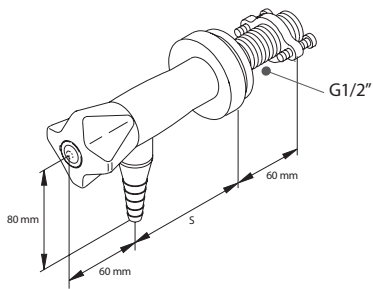
Media	S = 150mm	S = 200mm	S = 250mm	S = 300mm
Potable water, cold/hot	2536 279 1039-52B	2536 215 1039-52B	2536 280 1039-52B	2536 281 1039-52B
Non-potable water, cold/hot	2536 279 1040-52B	2536 215 1040-52B	2536 280 1040-52B	2536 281 1040-52B

**Model:** Bench mounted

Media	S = 150mm	S = 200mm	S = 250mm	S = 300mm
Potable water, cold/hot	2536 274 1039-52B	2536 214 1039-52B	2536 275 1039-52B	2536 276 1039-52B
Non-potable water, cold/hot	2536 274 1040-52B	2536 214 1040-52B	2536 275 1040-52B	2536 276 1040-52B

For further information and mounting instructions please refer to [www.BROEN.com](http://www.BROEN.com) or contact your local BROEN LAB representative.

# SINGLE WATER FITTINGS



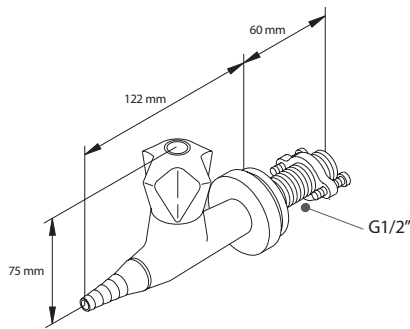
**No. 2530 317 10xx-08 (S=50mm)**  
**No. 2530 315 10xx-08 (S=75mm)**

Valve for suspended or wall mounting with a plastic handle, a rubber headwork and a fixed plastic nozzle (can be unscrewed by hand).

For media XX and other inlet options please refer to page 27 or contact your BROEN LAB sales representative.

**Materials with medium contact:**

Metals:	Brass
Plastics:	PP
Sealing:	EPDM
Lubricant:	Based on silicone



**No. 2532 199 10xx-08**

Valve for suspended or wall mounting with a plastic handle, a rubber headwork and a fixed plastic nozzle (can be unscrewed by hand).

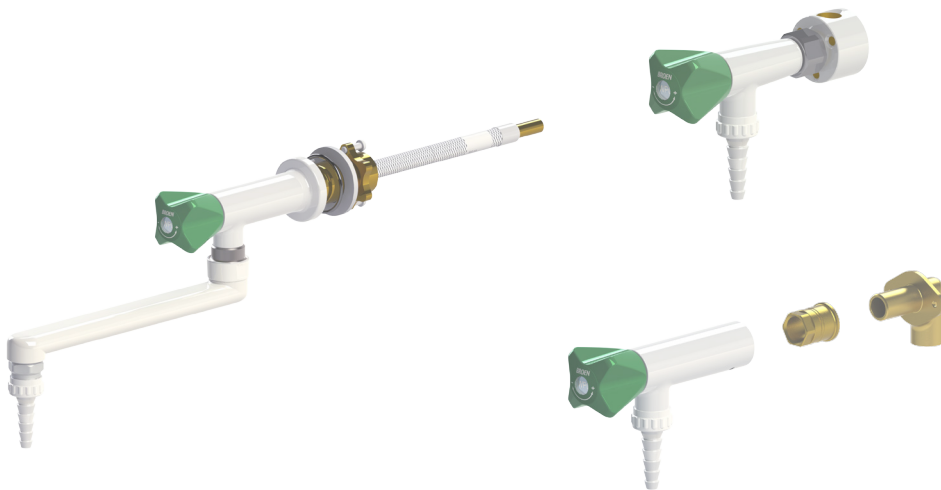
For media XX and other inlet options please refer to page 27 or contact your BROEN LAB sales representative.

**Materials with medium contact:**

Metals:	Brass
Plastics:	PP
Sealing:	EPDM
Lubricant:	Based on silicone

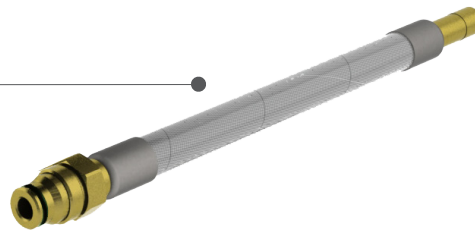
## NEW MODELS ARE AVAILABLE

Please contact your BROEN LAB representative for more information!



BROEN UNIFLEX™ FITTINGS FOR WATER

BROEN UniFlex™ flexible hoses



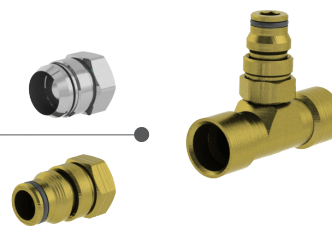
BROEN LAB offers BROEN UniFlex™ hoses as an easy way to make the installation in the laboratory where safety and efficiency are required. BROEN UniFlex™ hoses are the ideal solution where there is a higher requirement for flexibility. Installation with flexible hoses saves you time and labor - in other words reduced installation costs.

A wide range of fittings and lengths available for BROEN UniFlex™ hoses enables customers to choose the perfect hose for their application.


BROEN UniFlex™ hoses for water are manufactured of soft cross-linked polyethylene (SPX), which is approved for use with drinking water and meets all hygienic requirements. From the outside the hose is secured by a Stainless Steel braiding that ensures long service life and durability.

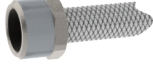
If you still prefer a standard way of installation with Cu, Stainless Steel, or PEX-pipes, BROEN LAB offers a wide range of connection fittings and adaptors for pipes of different dimensions.


BROEN UniFlex™ connection fittings and adaptors for Cu, Stainless Steel and PEX pipes

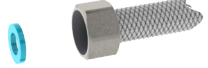


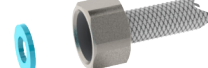
**INLET CONNECTIONS**  
93 V XX XX XXXX

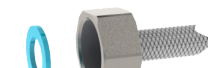
G3/8" A fixed connection (Code 32)  


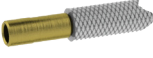
G1/2" A fixed connection (Code 31)  


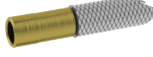
G3/4" A fixed connection (Code 33)  


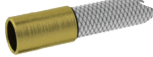
G3/8" union connection (Code 41)  


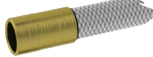
G1/2" union connection (Code 40)  



G3/4" union connection (Code 42)  



OD10mm connection for compression fittings (Code 10)  



OD12mm connection for compression fittings (Code 12)  


OD15mm connection for compression fittings (Code 15)  


OD15mm connection for press fittings (Code 65)  


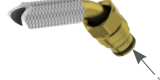
Straight BROEN UniFlex™ connection with EPDM o-ring (Code 20)  



45° BROEN UniFlex™ connection with EPDM o-ring (Code 25)  



90° BROEN UniFlex™ connection with EPDM o-ring (Code 30)  


**OUTLET CONNECTIONS**  
93 V XX XX XXXX

Straight BROEN UniFlex connection with EPDM o-ring (Code 20)  


45° BROEN UniFlex connection with EPDM o-ring (Code 25)  


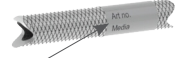
90° BROEN UniFlex connection with EPDM o-ring (Code 30)  



M10x1mm short connection with EPDM o-ring (Code 51)  


**PLEASE NOTE:**  
M10 connections can only be used to mixer and multimedia fittings


\*All O-rings are lubricated with silicone based lubricant


**HOSE**  
93 V XX XX XXXX

SPX hose with braiding in stainless steel  


Marking for water with Part no. and Media indication  


**HOSE LENGTHS**

Definition of length (L)  


Definition of length (L)  


If 45° and 90° elbows occur on the same hose, it will as default be mounted in U-form

**\*Standard lengths of hoses (L):**

- 0500 = 500mm
- 0700 = 700mm
- 1000 = 1000mm
- 1200 = 1200mm
- 1500 = 1500mm
- 2000 = 2000mm
- 2500 = 2500mm
- 3000 = 3000mm

Length tolerance of hoses:  
L = ≤400mm (-0, +10mm)  
L = 401mm to 1000mm (-0, +20mm)  
L = >1000mm (-0, +30mm)

**SPECIFICATIONS**

- Inner hose material:** SPX (soft PEX)
- Braiding:** Stainless steel with one green stripe
- Hose materials with media contact:** SPX, brass, EPDM and silicone based lubricant
- Inside diameter:** 8.2mm
- Outside diameter:** 12mm
- Max. working pressure:** 10 bar
- Max. working temperature:** 90°C
- Bending radius (inner):** ≥ 40mm
- Min. length with connections:** 160mm

**EXAMPLE OF HOSE CONFIGURATION**

1200mm hose with OD 12mm inlet connection and straight UniFlex™ outlet connection



**93V12201200**

\* Other lengths are available on request

**RUBBER HEADWORK**  
**PLASTIC HANDLE**



**SPECIFICATIONS**

BROEN UniFlex™ water fittings with plastic handles are delivered with rubber headworks.

Water fittings with rubber headwork offer quick and precise adjustment and a long service life.

**Opening/closing function:** 2 x 360° turn

**Media:** Hot/cold water

**Temperature range:** Please refer to the individual fitting

**Max. working pressure:** 10 bar / 147 psi



**MATERIALS WITH MEDIA CONTACT**

**Metals:** Brass

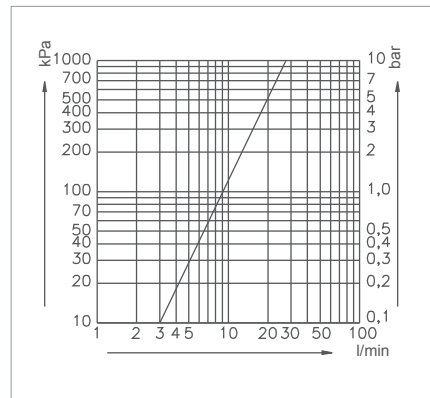
**Sealing:** EPDM

**Lubricant:** Silicone based

**ORDERING INFORMATION**

**Rubber headwork**  
 No. 1977000

**FLOW CHART**



BROEN UNIFLEX™ FITTINGS FOR WATER

**CERAMIC HEADWORK**  
**WRIST ACTION LEVER**

**SPECIFICATIONS**

BROEN UniFlex™ PREMIUM water fittings with wrist action lever are delivered with a ceramic 90° turn headwork.

**Opening/closing function:** 90° turn

**Media:** Hot/cold water

**Temperature range:** Maximum 90°C

**Max. working pressure:** 10 bar / 147 psi

**Test pressure:** 1 x working pressure



**MATERIALS WITH MEDIA CONTACT**

**Metals:** Brass

**Sealing:** EPDM

**Plastics:** POM

**Lubricant:** Silicone based

**Ceramics:** Al-oxyd 96%

**ORDERING INFORMATION**

**LEFT TURN CLOSING**  
**Ceramic headwork**  
 No. 1976400

**RIGHT TURN CLOSING**  
**Ceramic headwork**  
 No. 1976500

**FLOW CHART**

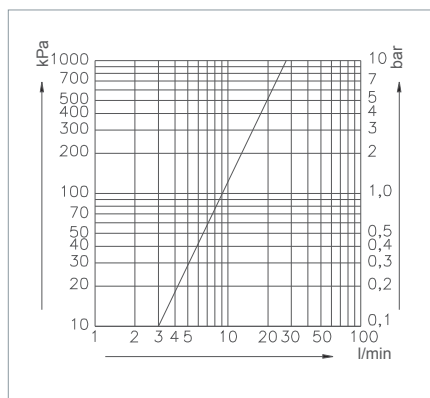




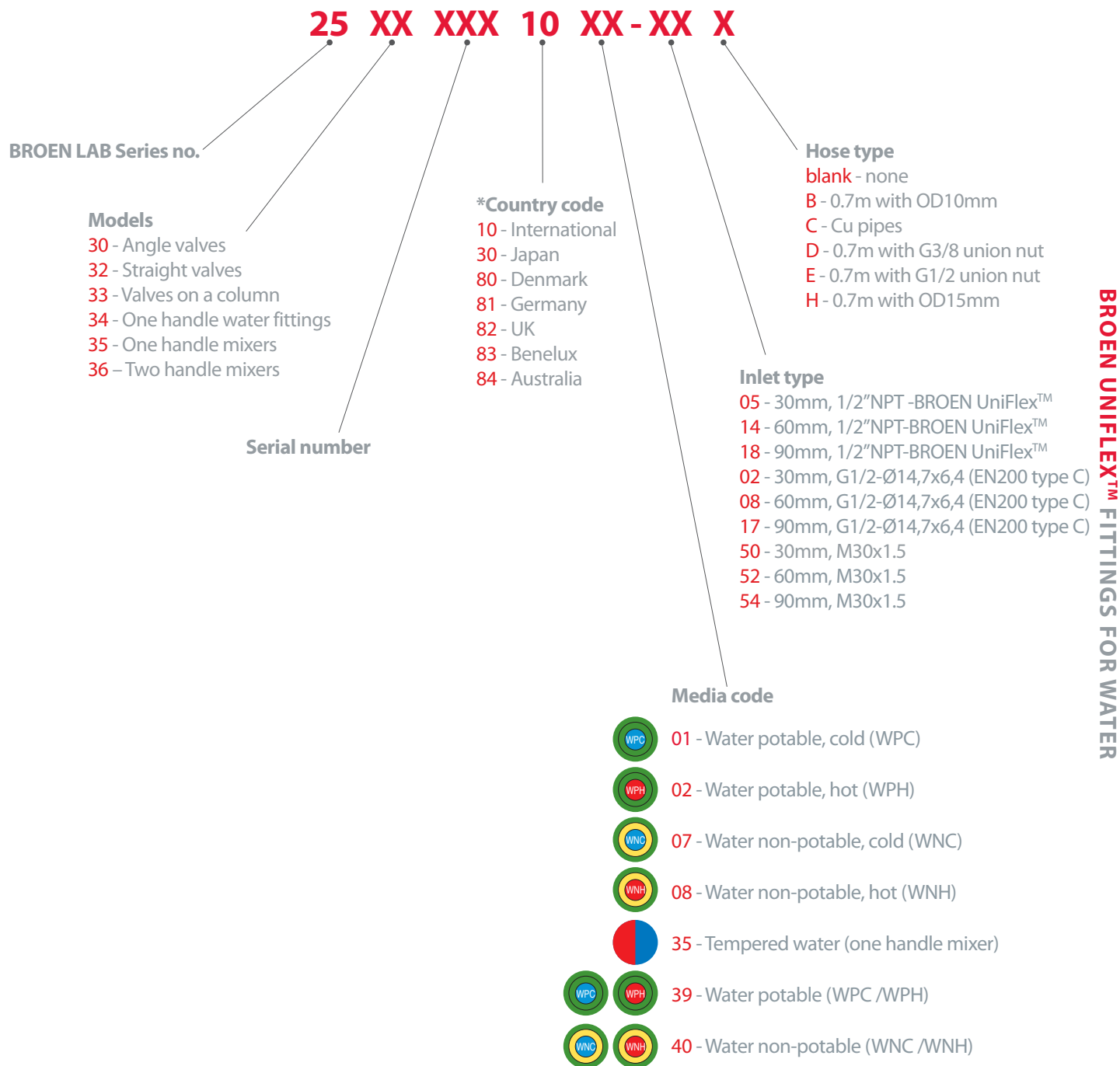




Illustration	Description	BROEN item No.
	Adaptor for aerator  M19x1 - M22x1 <i>(fits 2534- and 2536-models)</i> G3/8A - M22x1 <i>(fits angle valves and elder spouts)</i>	2539 005 1001  2539 064 1001
	Aerator  Thread: M22x1 Thread: female G1/2	2539 006 1001 19 025 009
	Adaptor for removable plastic nozzle  M19x1 - G 1/2 G3/8 - G1/2	2539 003 1001 2539 048 1001
	Removable plastic nozzle (thread: female G1/2)	2539 004 1001
	Fixed plastic nozzle  Thread: M19x1 Thread: G3/8	2539 010 1001 2539 040 1001
	Mounting set for G1/2 connection	19141000
	1/2" NPT inlet with female BROEN UniFlex™ connection (incl. O-ring)  L=30mm L=60mm L=90mm	1550233V 1527454V 1550246V
	Mounting set for M30x1,5 connection	19 190 000
	Threaded inlet pipe M30x1,5  L=30mm L=60mm L=90mm	1919003 1919002 1919004

Illustration	Description	BROEN item No.
	<p>Vacuum pump for water fitting <i>(remember to order a metal adaptor shown below)</i></p>	<p>19 198 009</p>
	<p>Adaptor (chrome plated brass) for vacuum pump</p> <p>Thread: M19x1 - G1/2A <i>(fits 2534- and 2536-models)</i> Thread: G3/8A - G1/2A <i>(fits angle valves and elder spouts)</i></p>	<p>2539 007 1001 2539 043 1001</p>
	<p>Plastic handle with media indication according to EN 13792</p>	<p>191501401001 (WPC) 191501401002 (WPH) 191501401007 (WNC) 191501401008 (WNH)</p>
	<p>Wrist action lever (handle only)</p>	<p>1916433G-5168 (green)</p>

Generally, item number for BROEN UniFlex fittings has the following structure:



BROEN LAB develops, manufactures and delivers complete range of fittings for professional laboratories. Our know-how and our quality products ensure the precise flow of water, gases and air, from source to user.

BROEN LAB solutions are used by professional users in many kinds of laboratories, from the education and health sectors to industry in general. Our products are already an integrated part of many workplaces. From fittings for purified water, nitrogen, vacuum and compressed air, to the control and regulation of pure gases in critical applications such as a gas chromatography and spectrometry.

Our extensive knowledge allows us to continually develop and optimize our products so that they meet customer needs and specifications. Safety, functionality and quality are an integral part of product design and flexibility. Our insight and understanding of working environments and safety in laboratories allow us to develop custom solutions for projects around the world. Use us to plan your project so we can advise you on laboratory layout and design.

#### **BROEN LAB GROUP ISO 9001 certification**

In September 1991 BROEN LAB GROUP was certified according to ISO 9001 as one of the first Danish companies. The certification was carried out by Bureau Veritas, Denmark, for our Danish site at Assens.

The quality management system of BROEN LAB GROUP now complies with detailed specifications laid down by the internationally acknowledged EN ISO 9001:2008. This certification will further contribute to BROEN LAB GROUP's reputation for quality and reliability.



Connect With Us

