

Hygiene within nursing homes,
geriatric wards, rehabilitation centres
automatic washer disinfectors



"For the Environmentally conscious"



Automatic washing and disinfection

Contrary to domestic or industrial dishwashers, Steelco medical devices have been certified for the reprocessing of medical items.

Hygiene requirements within nursing homes, geriatric wards, rehabilitation centres and private clinical shall be very high in order to protect patients, particularly the eldest, who are exposed to great risks of infections due to their weakened immune system.

Professional washing together with termodisinfection of all common-use items which could be potentially contaminated (such as lunchbox, cups and plates, bowls, vases and other small accessories) can improve hygiene standards within those facilities, ensuring the patients' health as well as that of staff and guests.



Standard compliant

Steelco Washer-Disinfectors are designed and constructed to comply with the latest European guidelines on decontamination. EN ISO 15883-1/2, CEN ISO/TS 15883-5
Steelco Washer-Disinfectors are classified CE Medical Device (Community rule 93/42/CEE) code nr. 0051.





“For the Environmentally conscious”

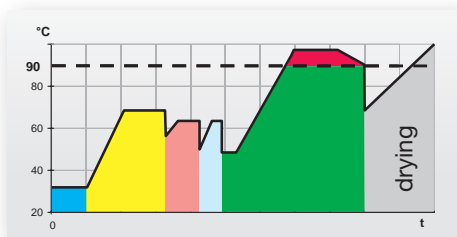
Constant improvements and innovations lead **Steelco** products to run economically and reach a higher level of environment compatibility.

Cleaning effectiveness

The Mechanical action is one of the main element for the cleaning effectiveness of the washing process, Steelco has studied different washing pumps, following each model washing circuit that ensure high flow rate combined with effective spray pressure.

Thermodisinfection of contaminated items

Thermodisinfection is the safest, recommended and most efficient method for the disinfection of the items commonly used in nursing homes, geriatric wards and rehabilitation centres. Steelco washer disinfector, the same devices dedicated to the reprocessing of reusable medical devices following DIN EN ISO 15883 rules, ensure effective fungicide, bactericide and viral inactivation.



Thermodisinfection is achieved by gaining a temperature up to 93°C and its holding for a programmable period, for each single cycle. Temperature check by means of 2 PT1000 independent probes.

The whole process of washing, thermal disinfection and drying can be completed within 60 minutes only.

Control system

The control system Steelcotronic has an intuitive user interface and is easy to use.

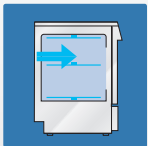
During the operation, the user is informed of all the relevant events of the running program.

The system also allows the definition of custom washing and disinfection programs.





DS 500 - Underbench washer disinfectator



Washing chamber

Chamber volume ~171 lt / 45.17 Gal Us
Basket volume ~151 lt / 39.89 Gal US

DS 500 D



With LCD display and up to 40 washing programs.

DS 500 LEDD



With LED display and up to 10 washing programs.



Long lasting devices

Inner cabinet, washing arms and tank filters made of high quality AISI 316L stainless steel (DIN 1.4404).

External cabinet made of AISI 304 stainless steel (DIN 1.4301).

Construction system with total removal of angles. Self cleaning tank with rounded edges.

Water filtering system in three levels.



DS 500 D - DS 500 LEDD - Key features

- Double wall construction and thorough insulation reduce electricity consumption and heat loss.
- The built-in water softener provides optimal cleaning effectiveness and prevents scale.
- Washing and DI disinfection temperature are fully adjustable up to 93°C. Temperature is monitored by two independent sensors
- Standard steam condenser prevents vapours from entering into the washing area.
- Heavy washing pump ensures high flow rate combined with effective spray pressure.
- Inner cabinet, washing arms and tank filters made of high quality AISI 316 L stainless steel.
- Accurate dosing system of liquid chemicals.
- Two automatic liquid dispensers are standard and equipped with level control.
- Three water connections are available, cold, warm and DI water.
- RS 232 port is provided with printer connection for monitoring and validating washing phases.

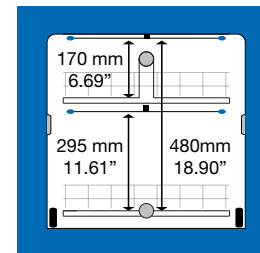
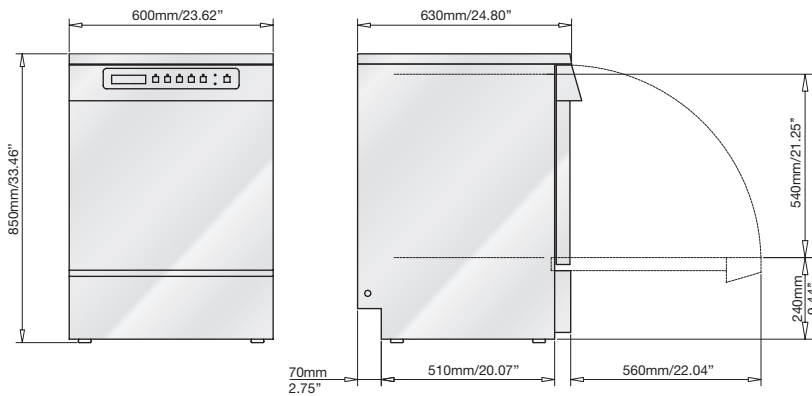
Optional

- 3rd Chemical dosing pump
- Extra power 8 KW to reduce cycle time
- Boiler to pre-heat DI water (stand required)
- External printer ST1
- Glass window door
- Stand

Dimensions and connections

	DS 500 LEDD	DS 500 D
Standard electrical connection (International)	230V/~/50Hz	400V/3~/+N/50Hz
Optional electrical connection (North America)*	208V/3~/+N/60Hz or 220V/~/60Hz	208V/3~/+N/60Hz - 220V/~/60Hz
Power	3050 W	5600 W
Pump power	550 W	550 W
Noise	52 dB(A)	52 dB(A)
Permitted room temperature	+5°C/41°F - +40°C/104°F	+5°C/41°F - +40°C/104°F

*other electrical connections also available as optional

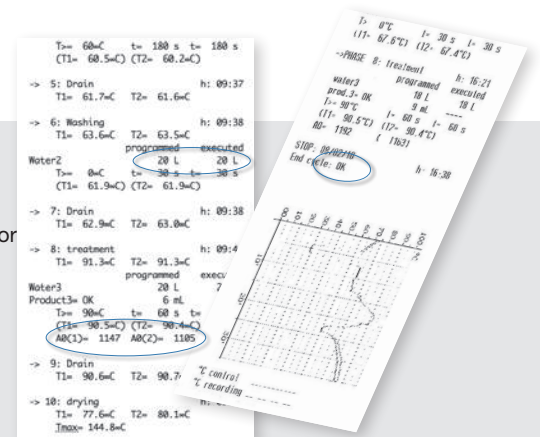


Print reports and historical cycle data

During every washing cycle, the machine software generates a report. The report can be printed or transferred to a PC connected via Ethernet or RS232 port.

All critical parameters are registered, in particular:

- machine model and number, operator identity
- cycle starting/ending date and time, status at the end of the washing cycle
- executed A0 values
- programmed and executed water and chemical consumption
- temperatures measured by nr. 2 independent monitoring probes during each cycle phase





Basic washing carts for inserts housing



C51 upper basic washing cart with washing arm.



C52 lower basic washing cart.



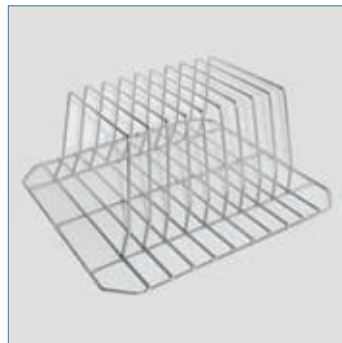
C52L over basic washing cart.



Multifunction inserts



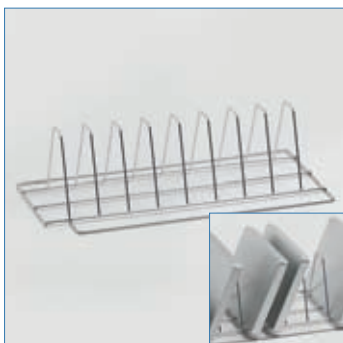
C97 13 positions insert support for dishes. It can be used with C52, C52L.



C663 9 positions (30mm step) insert support for trays. It can be used with C629, C52 e C52L.



C14 5 positions (62mm step) insert support for basins and trays. It can be used with C629, C52 e C52L.



C04 8 positions (40mm step) insert support for small trays.



C1215 12 positions insert support for pill-boxes with lids. It can be used with C629, C52, C52L.



C1213 30 positions insert support for pill-cups. It can be used with C629, C52, C52L, C51.



C1214 50 positions insert support for pill-cups. It can be used with C629, C52, C52L, C51.



Water purification system

DI water rinsing helps to ensure the removal of detergent residues and grants effective cleaning results.

- Stainless steel water purificator container with 10 lt/2.64 Gal US resin plastic cartridge. Equipped with priming and pressure relief valve and conductivity system pressure proof up to 10 bar.



Detergent cabinet

Two levels wide detergent compartment to store up to four 5 lt. 1.32 Gal US chemical containers.

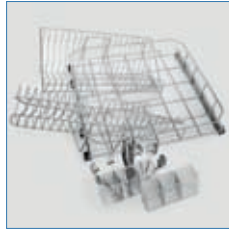
Washing carts for dishes



C629 Lower cart for 32 dishes pos. and 2 inserts for cutlery.



It allows the washing of up to 16 trays with following max. dimensions 265x465mm.



It is composed by removable inserts and can be used as basic washing cart for inserts.



C630 Upper washing cart for cups and saucers.



C812 Lower washing cart for cups and saucers.

Baby bottles



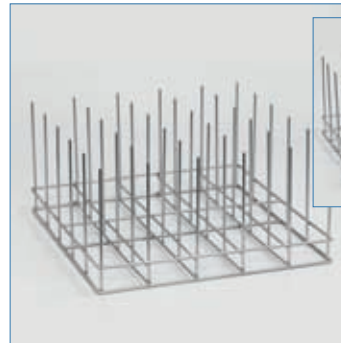
C667 two levels washing cart for baby bottles with dedicated nozzles for bottle inner washing.
Capacity:
- 1st level for 2 x C17
- 2nd level for 2 x C16

C17 18 positions baby bottle dummies basket

C16 18 positions baby bottle basket (250ml, ø 55mm, h 170mm)



Insert for breathing masks



C799 Insert for breathing masks. It can be used with C52.

Washing carts and inserts for rubber clogs



C50 20 positions washing cart for rubber clogs. The cart takes up the entire washing chamber



C15 16 positions washing insert for rubber clogs. It can be used with C629, C52, C52L. The insert takes up the entire washing chamber



C869 8 positions washing insert for rubber clogs. It can be used with C629, C52, C52L, C51.



Complements

Machine configured with stand and glass window door.

The glass door window allows visual monitoring of the washing process. Stands improve ergonomics when machine is not installed under counter. The 600mm/23.62" height stands are equipped with doors for easy storage access to chemicals and accessories. Stand is recommended in case the machine is equipped with the option of boiler to pre heat DI water and the needed booster pump. The 300mm/11.81" height stand is just a support and can't be used as a container.

9991015 mm. 900x560x600h/35.43"x22.05"x23.62"h **9991146** mm. 900x560x300h/35.43"x22.05"x11.81"h

