

# Undercounter Glassware Washers

Highly Flexible, Easy to Use,  
and Energy Efficient

Loading and Operation Flexibility to Accommodate  
a Wide Range of Requirements

- A wide variety of specialty baskets available to fit both upper and lower racks
- Spindle-ready models can accommodate 1 or 2 direct injection spindle racks
- Temperature selection to 70°C (158°F) for optimal cleaning of different loads
- An optional auxiliary drying system for extra drying time, if needed

Engineered for Durable, Reliable, and Energy Efficient Operation

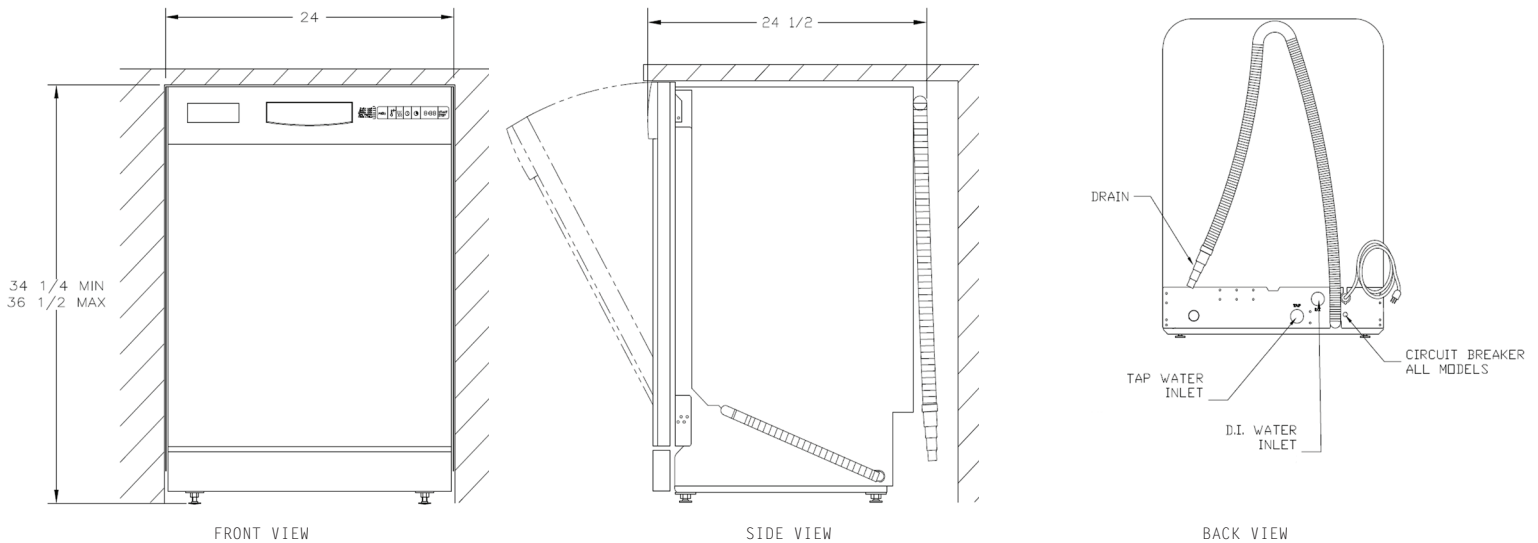
- Stainless steel construction ensures long life and corrosion protection plus maintains superior cosmetic appearance
- Three separate filters protect pumps from debris and are conveniently located for easy access
- Designed and insulated for ultra quiet operation
- Multiple cycle selections and microprocessor control systems ensure that each load is processed with minimum energy consumption required to meet selected criteria
- Delayed start feature allows washer to operate unattended during off-peak hours to reduce energy cost

Freestanding and Mobile Units Available

For more information on National Hotpack Glassware Washers



# Undercounter Glassware Washer Specifications



Model		UCW
Volume		6 ft <sup>3</sup> 170L
Chamber Material		304 Stainless Steel
Exterior Material		304 Stainless Steel
Exterior Dimensions (w x d x h) (Undercounter)		24" x 24" x 34.25"-36.5" Adjustable 609.6 x 609.6 x 870-927.10 mm Adjustable
Exterior Dimensions (w x d x h) (Freestanding and Mobile)		23.75" x 24" x 38.38"-40" Min Adjustment 603.25 x 609.6 x 974.86-1,016 mm Min Adjustment
Interior Dimensions (w x d x h)		21.5" x 19" x 27" 673 x 625 x 685.80 mm
Loading Levels		2
*Spindle Rack Ready		Where applicable
Clearance	single rack (spindle rack only)	22.5" (570 mm)
	upper rack	11.75" (30 mm) standard rack / 9.375" (240 mm) with spindle rack
	lower rack	13.125" (33 mm) standard rack / 10.25" (360 mm) with spindle rack
Wash Cycles		6
Temperature Range		70°C
Max Water Consumption		4 Gallons (15 L) Tap Water 1.6 Gallons (6 L) DI Water Where applicable
Electrical (60 Hz)		115V - 1p - 15 amps
Electrical (50 Hz)		220V - 1p - 10 amps
Tap Water		4 gpm (24 L/min) @ 18-60 psig
DI Water		1.6 gpm (24 L/min) @ 18-60 psig (1.3-4.1 bar) less than 1 Megaohm/cm resistivity
Ship Weight	(Undercounter)	165 lbs (75 kg)
	(Freestanding and Mobile)	170 lbs (77 kg)