



# LABOMED, INC.

## LB-290 Inverted Trinocular Biological Microscope with Infinite Optical System

### Introduction

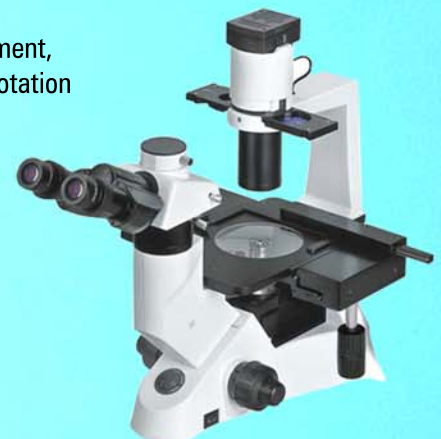
This microscope is a high level microscope which is specially designed for medical and health units, universities, research institutes to observe cultured living cells. It adopts an Infinite optical system, reasonable structure and ergonomic design. With an innovative optical and structure design idea, excellent optical performance and easy to operate system, this inverted biological microscope makes your work enjoyable. A digital camera or digital eyepiece can be added to the trinocular head to take photos and videos.

### Applications

LB-290 Inverted microscope is used by medical and health units, universities, research institutes for observations of micro-organisms, cells, bacteria and tissue cultivation. It can be used for continuous observation of process of cells and bacteria as they grow and divide in the culture medium. Videos and images can be taken during the process. This microscope is widely used in cytology, parasitology, oncology, immunology, genetic engineering, industrial microbiology, botany and other fields.

### Specifications

Viewing Head:	Trinocular Head Inclined at 30°, Interpupillary Distance 48-75mm
Eyepiece:	High-point, Extra Wide Field Eyepiece EW10×/ 22
Objective:	LWD(Long Working Distance) Infinite Plan Objective 4×/ 0.1, WD 18mm 40×/ 0.6, WD 2.6mm
Infinite Plan Phase Objective:	PH10×/ 0.25, WD 10 mm PH20×/ 0.4, WD 5.1mm
Nosepiece:	Quintuple Nosepiece
Condenser:	ELWD(Extra Long Working Distance) Condenser NA 0.3, LWD 72mm (Without Condenser 150mm)
Centering:	Centering Telescope (Φ30MM)
Phase Annulus:	10×-20×, 40× Phase Annulus Plate
Stage:	Plain Stage 160×250mm Glass Insert Auxiliary Stages 70mm×180mm Terasaki Holder (optional), Petri Dish Holder Φ35MM and Φ90MM (optional) Slide Glass Holder Φ54MM (optional)
Focusing:	Coaxial Coarse and Fine Adjustment, Vertical Objective Movement, Coarse Stroke 37.7mm per Rotation, Fine Stroke 0.2mm per Rotation
Illumination:	Halogen Lamp 6V/30W
Filter:	Diameter 45mm, Blue, Green and Frosted Filter
Dimension & G.W.:	46.5cm*39.5cm*64cm, 15.5kg





# LABOMED, INC.

## LB-290 Inverted Trinocular Biological Microscope with Infinite Optical System

### Features



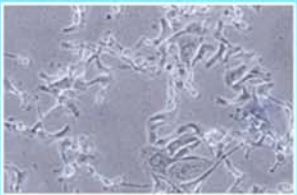
With LWD Infinite Plan Objective, Making Viewing Field Flatter and Brighter, Contrast Sharper, Living Cell Observing easier



Advanced and Reliable Mechanical Stage with Knob Height and Tightness Adjustable

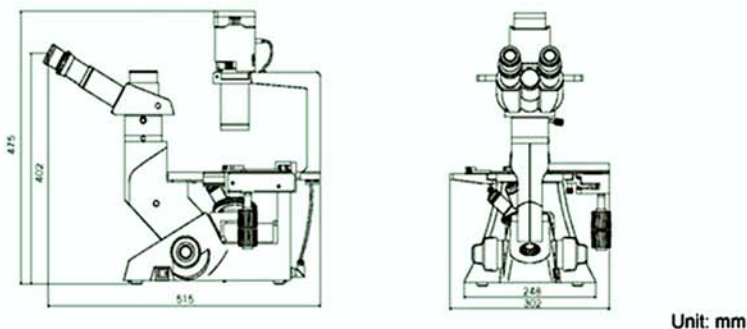


Different Holders for Various Observations



With pre-centerable Phase Annulus, Available to Observe Low Contrast or Transparent Specimens

### Dimensions



### Phase Slider

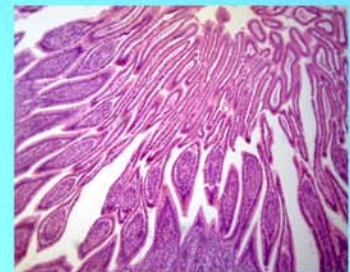
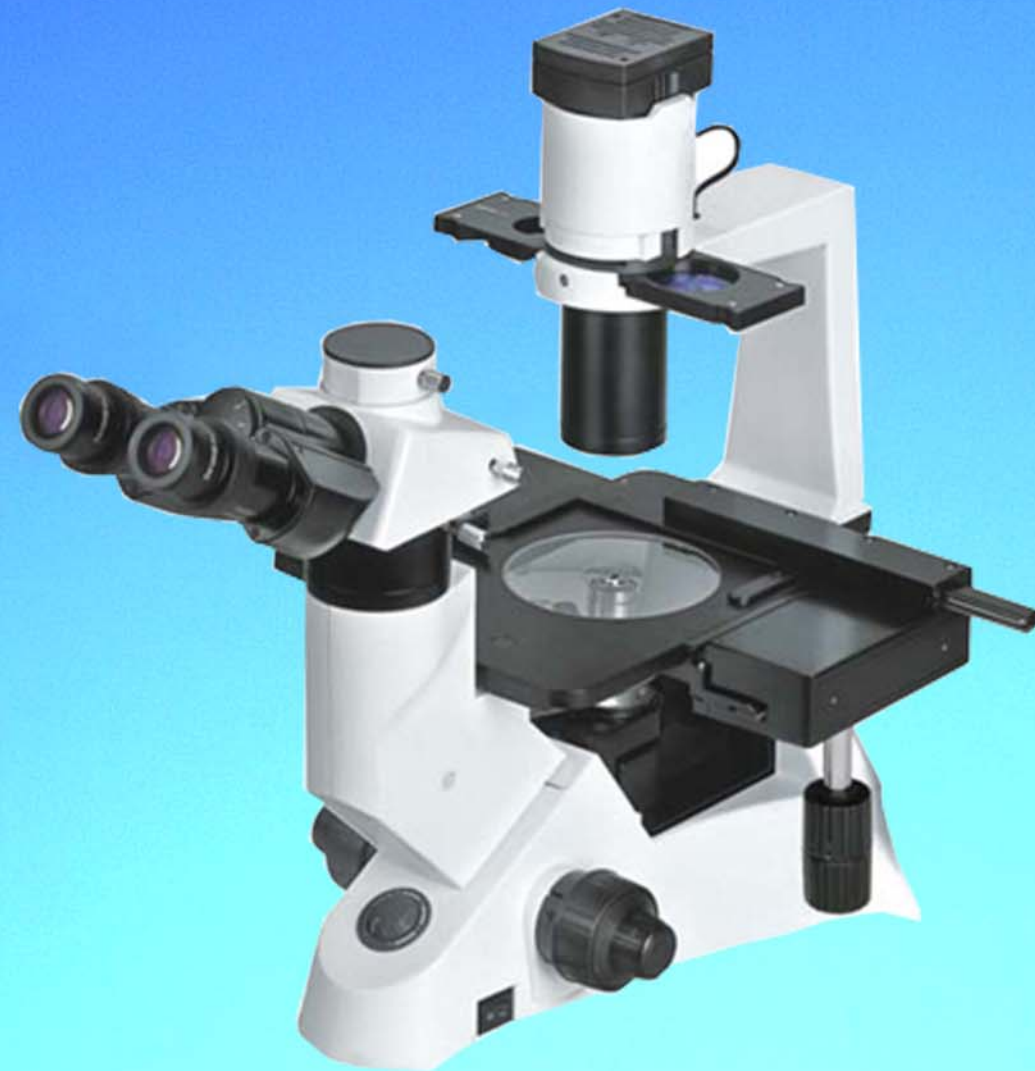


Connect With Us





# LABOMED, INC.



## LB-290 Inverted Trinocular Biological Microscope with Infinite Optical System

Excellent optical function with infinitive optical system.

Innovative stand structure, sharp image display, convenient and special for viewing incubating cell tissue.

With LWD Infinite Plan Objective, Making Viewing Field Flatter and Brighter, Contrast Sharper,  
Living Cell Observing easier

Advanced and Reliable Mechanical Stage with Knob Height and Tightness Adjustable

Different Holders for Various Observations

With pre-centerable Phase Annulus, Available to Observe Low Contrast or Transparent Specimens