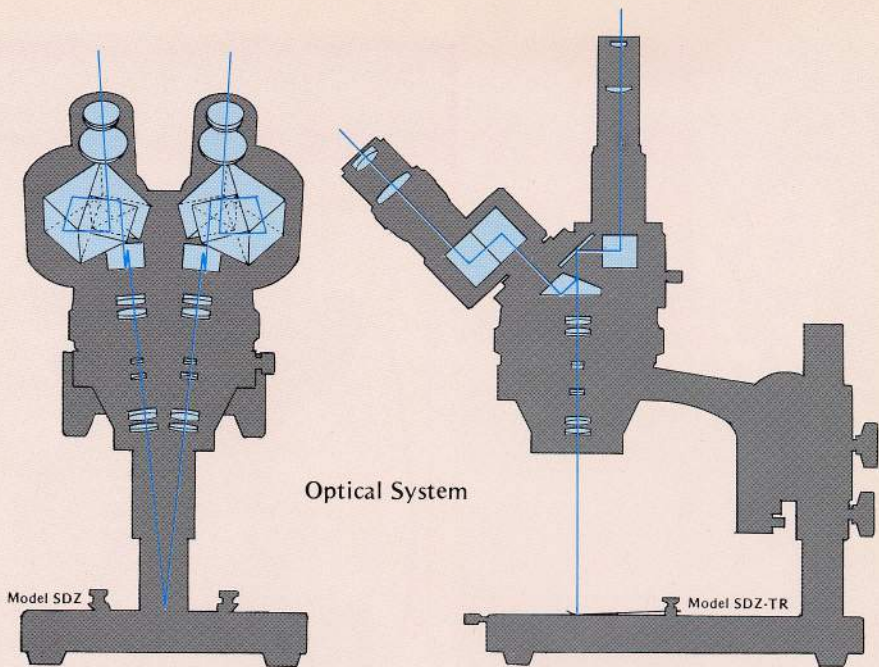


سوماتكو  
SOMATCO  
www.somatco.com



model  
**SDZ-PL**





Optical System

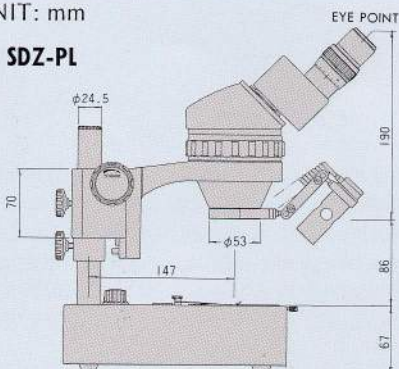
## SPECIFICATIONS

	SDZ-P	SDZ-TR-P	SDZ-PL	SDZ-TR-PL
Type	Twin zooming objective.			
Total magnification	From 3.5X to 180X depending on eyepiece and auxiliary objective lens used.			
Eyepiece inclination	45° from vertical			
Eyepiece tube	Rotatable 360°			
Eyepieces	Wide field HWF 10X; optional 15X, 20X. All eyepieces accept 25mm diameter eyepiece graticules.			
Photomicrographic eyepiece *		SP2.5X and 5X		SP2.5X and 5X
Optical system	Erect-unreversed image, convergent angle 12°, interpupillary distance from 51mm to 75mm, both eyepiece tubes with diopter adjustable. (±5 diopters)			
Objective lens	0.7X – 4.5X with 6.5 : 1 zoom ratio			
Auxiliary lenses *	0.5X, 0.75X, 1.5X and 2.0X			
Focusing	Rack-and-pinion system, coarse focusing with pillar clamp, coarse adjustment approx. 49mm.			
Working distance	86mm without auxiliary lens			
Stage plates	Interchangeable clear, and black/white			
Stand	Pillar plain stand		Pillar stand with built-in transformer for 6V 1.2A transmitted and flexible incident illumination. Both of the illuminators may be used individually or simultaneously.	

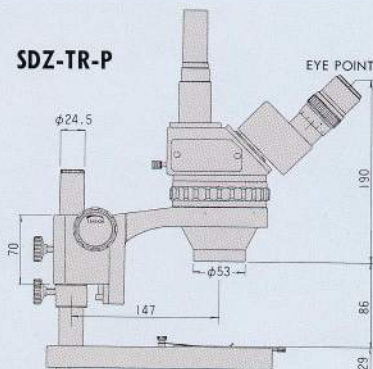
Note: \* Available as option only.

UNIT: mm

SDZ-PL



SDZ-TR-P



Connect With Us

