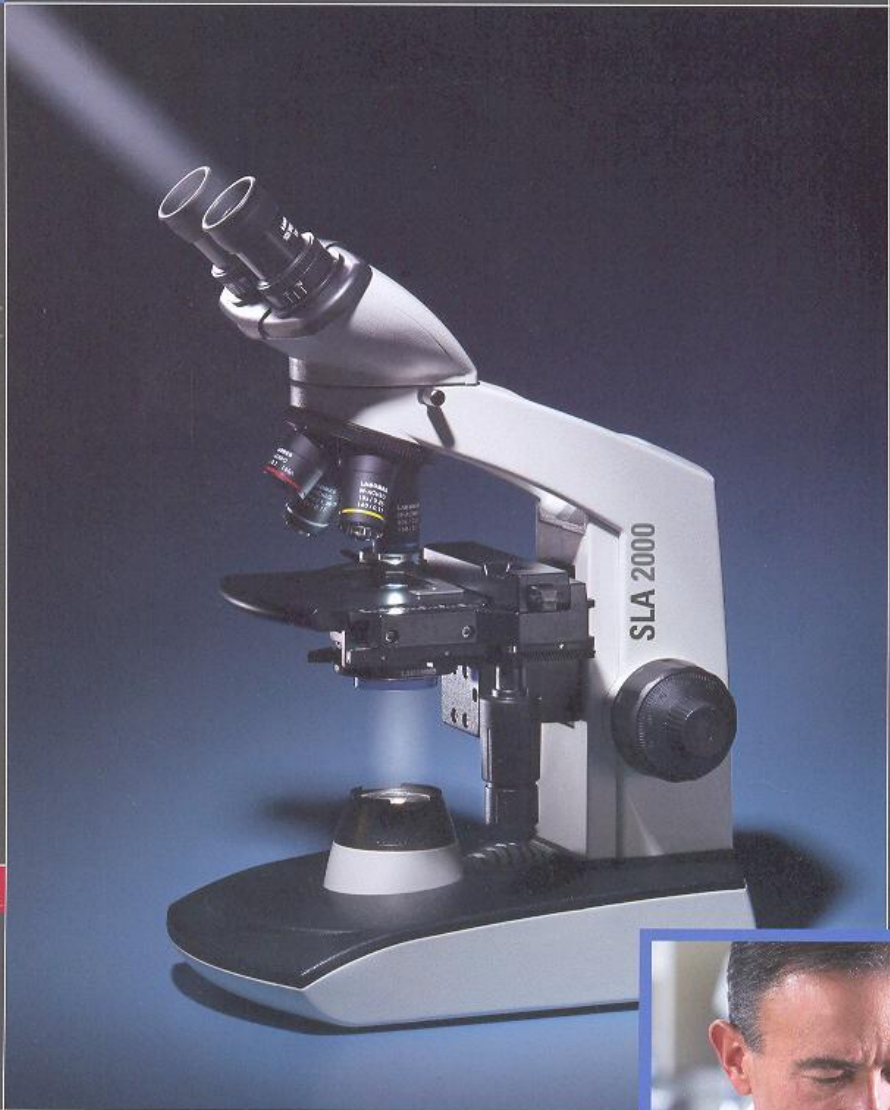


SLA 2000

Lab Microscopy

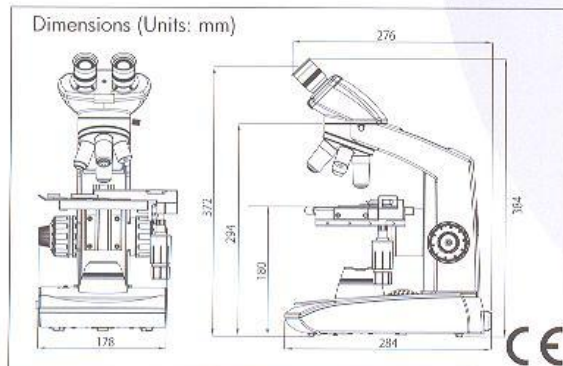


LABOMED
ideas for vision

SLA 2000 Lab Microscope

Specifications

Item	Specifications
- Stand	Sturdy stand with antirust, antibacterial materials. Heat isolating handrests
- Viewing Body	45° inclined, 360° rotatable dovetail, interpupillary distance 54 - 74mm
- Eyepieces	Wide field focusable paired eyepieces* 10x/18mm with foldable eye guard, lockable, antifungal
- Objectives	LP series DIN Semi-Plan Achromatic objectives* 4x, 10x, 40x (spring loaded), 100x (spring loaded, oil), antifungal
- Nosepiece	Quadruple nosepiece (ball bearing type) with rubber grip, click stop for exact position
- Mechanical stage	Rectangular stage size 135 x 124mm, X/Y travel range 76mm x 50mm, low drive movement controls, single specimen holder
- Condenser	Sub stage Abbe condenser NA 1.25 with aspheric lens, iris diaphragm with snap-in blue filter. Rack and pinion movements on metal guides
- Focusing	Co-axial coarse and fine focusing on ball drive system for smooth operation, fine drive movement 0.2mm/division, tension adjustment for torque control
- Illumination	LED [†] or Halogen 6V-20W illumination with variable illumination control. Up to 100,000 hours of LED life and 2,000 hours of Halogen lamp life.
- Electricals	Universal input 100V - 240V AC, 50/60Hz. Builtin voltage stabilizer
- Optional accessories	Phase contrast kit with 10x and 40x LP series Phase objective, Polarizing kit, Dark field kit, Green filter and daylight mirror attachment.



Configurations

Description	Configuration	Cat. No.
Halogen Standard	Binocular	5131000
LED [‡] Standard	Binocular	5132000

[‡] Standard configurations come with 4x, 10x, 40x (SL) and 100x (SL, Oil) objectives.

[†] LED version is with rechargeable battery and detachable power cord.

* All optical components are made of environment friendly lead free optical glass.