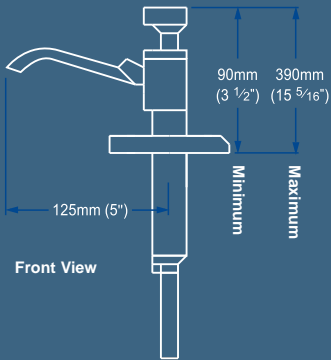
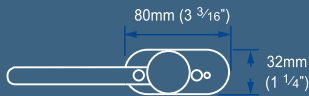




GP0650
V Pump Mk 6
5 Year Warranty



Front View



Plan View



GP0418
Flipper Pump Mk 4
5 Year Warranty

V Pump Mk 6

Vertical Self-Priming Hand Pump - Idea for narrow spaces between sinks

- Ideal where space is limited
- Suitable for pumping freshwater
- Angled spout and adjustable height allow various options for installation
- Capacity is 8 ltrs (2.2 US gals) per minute
- Delivers a smooth flow on each stroke up and down
- Ideal as a back up pump for electric freshwater systems
- Suitable for use with salt water

Model Specifications

Model	V Pump Mk 6
Product Code	GP0650
Hose Connections	Suitable for Quick Connect 15 mm Plumbing and 13 mm (1/2") Flexible Hose
Weight	0.26 kg (0.6 lbs)
Materials	Pump Body: Acetal, Pump Barrel: Anodized Aluminium Alloy Seals: Neoprene, Nitrile, Fasteners: Stainless Steel
Service Kit	AK0618 - Service Kit for V Pump, Mk 5, Mk 6, Mk 7 Models Contains: Diaphragm, Seals, Fasteners
Maximum Suction Lift	3 m (10 ft)
Maximum Discharge Head	4 m (13 ft)
Maximum Output per Minute	8 ltrs (2.2 US gals)

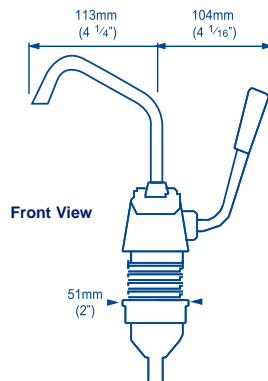
Flipper Pump Mk 4

Self-Priming Lever Operated Hand Pump

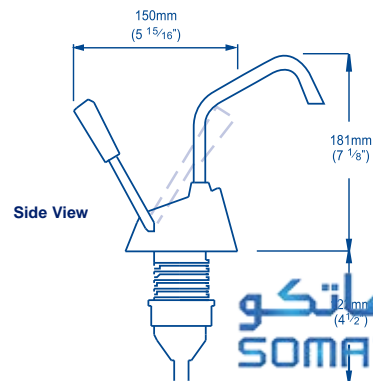
- Swivelling outlet is ideal for use between two sinks
- Light back and forth pumping action is easy to use
- Suitable for use with freshwater
- Precise flow control
- Capacity is 7 ltrs (1.85 US gals) per minute
- Suitable for use with salt water

Model Specifications

Model	Flipper Pump Mk 4
Product Code	GP0418
Hose Connections	Suitable for 13 mm (1/2") Flexible Hose
Weight	0.30 kg (0.71 lbs)
Materials	Pump Body: Acetal, Nylon, Polystyrene, Polypropylene, Anodized, Aluminium Alloy, Brass Seals: Neoprene, Nitrile, ABS, Fasteners: Stainless Steel
Service Kit	AK0405 - Service Kit for Flipper Mk3 and Mk4 Models Contains: Diaphragm, Seals, Screws
Maximum Suction Lift	3 m (10 ft)
Maximum Discharge Head	3 m (10 ft)
Maximum Output per Minute	7 ltrs (1.85 US gals)



Front View



Side View

