

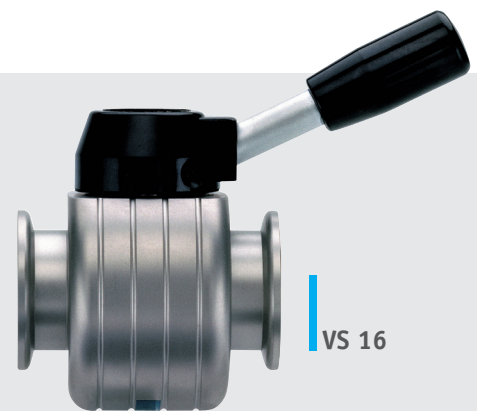
BUTTERFLY VALVE

BUTTERFLY VALVES VS

■ The VS, VS C and VS B series valves are butterfly-type valves. A circular valve plate with a sealing ring on the circumference rotates around an axis at right angle to the valve axis. As a result, the valves leave virtually the entire cross section free, offering very good conductance. The valve bodies are made of one piece, machined from solid material, and require (in addition to the valve head seal) only one elastic shaft seal for rotational movement of the shaft. The valves provide low leakage and minimal degassing rate. The VS C series features a valve seal made of perfluorelastomer material (FFKM).

PERFORMANCE FEATURES

- compact, economic design
- high conductance, low leakage rate
- gas-tight against atmosphere in both positions
- helium leak-tested
- easy to grip, lever-operated, with position indicator



TECHNICAL DATA		VS 16	VS 25	VS 40
Nominal width of flange	mm	16	25	40
Wetted materials		SS, FKM, NBR	SS, FKM, NBR	SS, FKM, NBR
Leakage rate	mbar l/s	1 x 10 ⁻⁶	1 x 10 ⁻⁶	1 x 10 ⁻⁶
Fitting length between flanges	mm	65	65	65
Weight	kg	0.6	0.8	0.9

TECHNICAL DATA		VS 16C	VS 25C	VS 40C
Nominal width of flange	mm	16	25	40
Wetted materials		SS, FFKM, NBR	SS, FFKM, NBR	SS, FFKM, NBR
Leakage rate	mbar l/s	1 x 10 ⁻⁶	1 x 10 ⁻⁶	1 x 10 ⁻⁶
Fitting length between flanges	mm	65	65	65
Weight	kg	0.6	0.8	0.9

ORDERING INFORMATION - VS valves made of stainless steel

VS 16	Small flange KF DN 16	665004
VS 16C	Small flange KF DN 16	665007
VS 25	Small flange KF DN 25	665005
VS 25C	Small flange KF DN 25	665008
VS 40	Small flange KF DN 40	665006
VS 40C	Small flange KF DN 40	665009